

User Manual

E-Grip Battery Powered Vacuum Suction Cup

Model YG1689

E-Grip battery powered vacuum suction cup is a revolutionary advancement in industrial and household vacuum suction technology. Instead of lasting for a few minutes, this battery powered vacuum suction cup will retain its suction for up to 48 hours when its battery is fully charged. Each 8-inch E-Grip has maximum horizontal absorption power of 120kg. Built-in sensor will automatically detect air level in the vacuum and automatically operate to maintain its absorption power. E-Grip battery powered vacuum suction cup can be used in handling all non-porous materials including glass, granite and marble, ceramic and porcelain tiles, sheet metal, dry wall, hard surfaces, and even household items.

Load and Environmental Conditions

Use the cup on clean, relatively smooth, nonporous surfaces, at temperatures from 10° to 120° Fahrenheit [-12° to 49° Celsius]. Moisture or contaminants can reduce the slip resistance of the cup.

Operations

Fully charge battery before first use.

Charge time: 6- 8 hours

To Attach:

1) Position the hand cup on the contact surface, Push on/off switch and release. E-Grip battery will automatically operate to suck air out. When battery stops operating, it is ready to use.

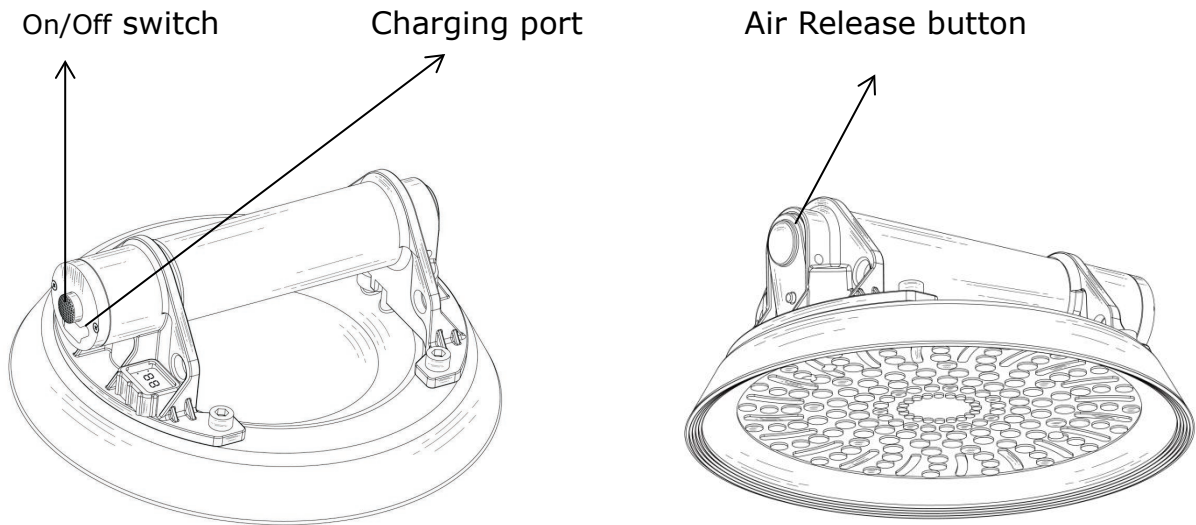
2) Built-in sensor will automatically detect any loss of power and automatically operate to maintain suction power.

To Release:

1) Press on/off switch

2) Press and hold the air release button (on the other side of the on/off switch) until the cup disengages completely. CAUTION: Remove the cup when not in use.

Product Diagram



Included in this package:

- E-Grip suction cup * 1
- Battery charging cable * 1
- Plastic case * 1
- User Manual * 1
- Special cleaning brush * 1
- Dust guard * 1

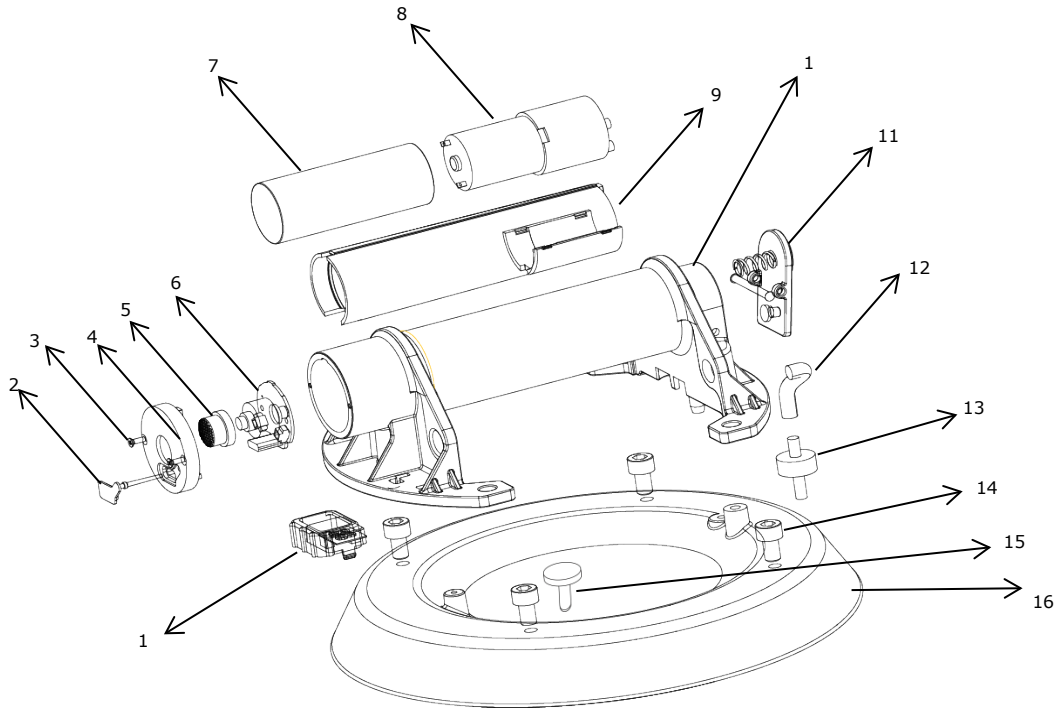
Product Storage

1. Clean the bottom of cup surface with the cleaning brush after use
2. Keep in plastic toolbox for storage after use

Product Specifications

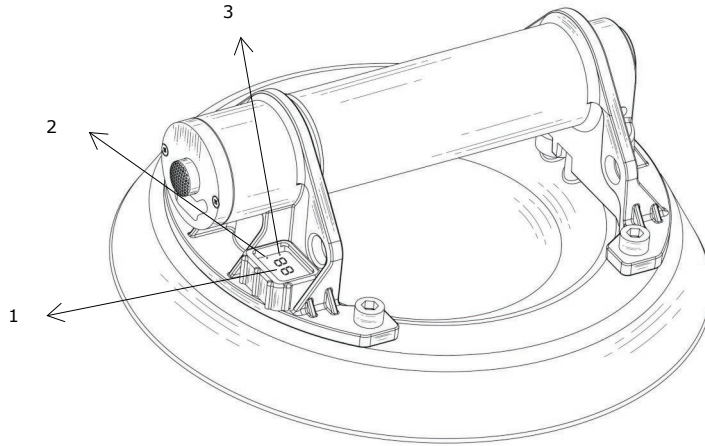
Battery	3.7VDC 5000mAh Li-ion
Normal Working Time (Full charged)	48 hrs.
Non-Stop working time (Full Charged)	16 hrs
Panel size	8 inches
Net weight of product with battery	0.92 kg
Safe loading	120kg
Charger Input Voltage	100-240VAC 50/60Hz 3.7VDC2A
Charging mode	USB charging
Battery Charging Time	6-8 hrs.

Parts List



Number	Part name	BOM	Number	Part name
1	Digital LED display board		9	Plastic inner bushing
2	Dust cover of charging port		10	Metal handle
3	Charging cover screw		11	Air Release button
4	Charging cover		12	Air intake tube
5	Switch dust cover		13	One-way check valve
6	Circuit board		14	Hexagon socket screw
7	lithium battery		15	Pressure sensor
8	vacuum pump		16	Rubber pad

Interpretation of electronic display parameters



1. When the red light indicator (2) lights up, the LED panel (1) displays the battery power data. 99% of the power represents that the suction cup is fully charged. If the red light indicator (2) on the display panel is less than 15%, and it will keep flashing as an alarm, indicating the need to charge. When the red light flashes, please charge the suction cup in time and stop using the suction cup (the motor will stop working when the battery power data less than 12%).

2. When the green indicator light (3) lights up, The LED panel (1) displays the safe negative pressure value. When the pressure on the display panel is lower than - 56 kPa, the suction cup motor will start automatically. When the pressure reaches - 63 kPa, the suction cup will stop automatically (note: when the motor is powered off, the motor will draw up 1-2 kPa due to inertia). The range from - 56 kPa to - 65 kPa is the safe pressure value of the suction cup, The max loading is 120kg and the pressure value (green indicator) and the battery power value (red indicator) can be switched automatically in about 3 seconds.

Product Warranty

1. Fully refundable or replaceable within 30 days of purchase
2. Before using this product, please read the instructions carefully and following use and maintenance recommendations
3. After 30 days and within 6 months, product can be returned for repair or partial refund upon inspection of the returned product. Buyer will pay shipping costs to and from our warehouse. Repair costs may apply.