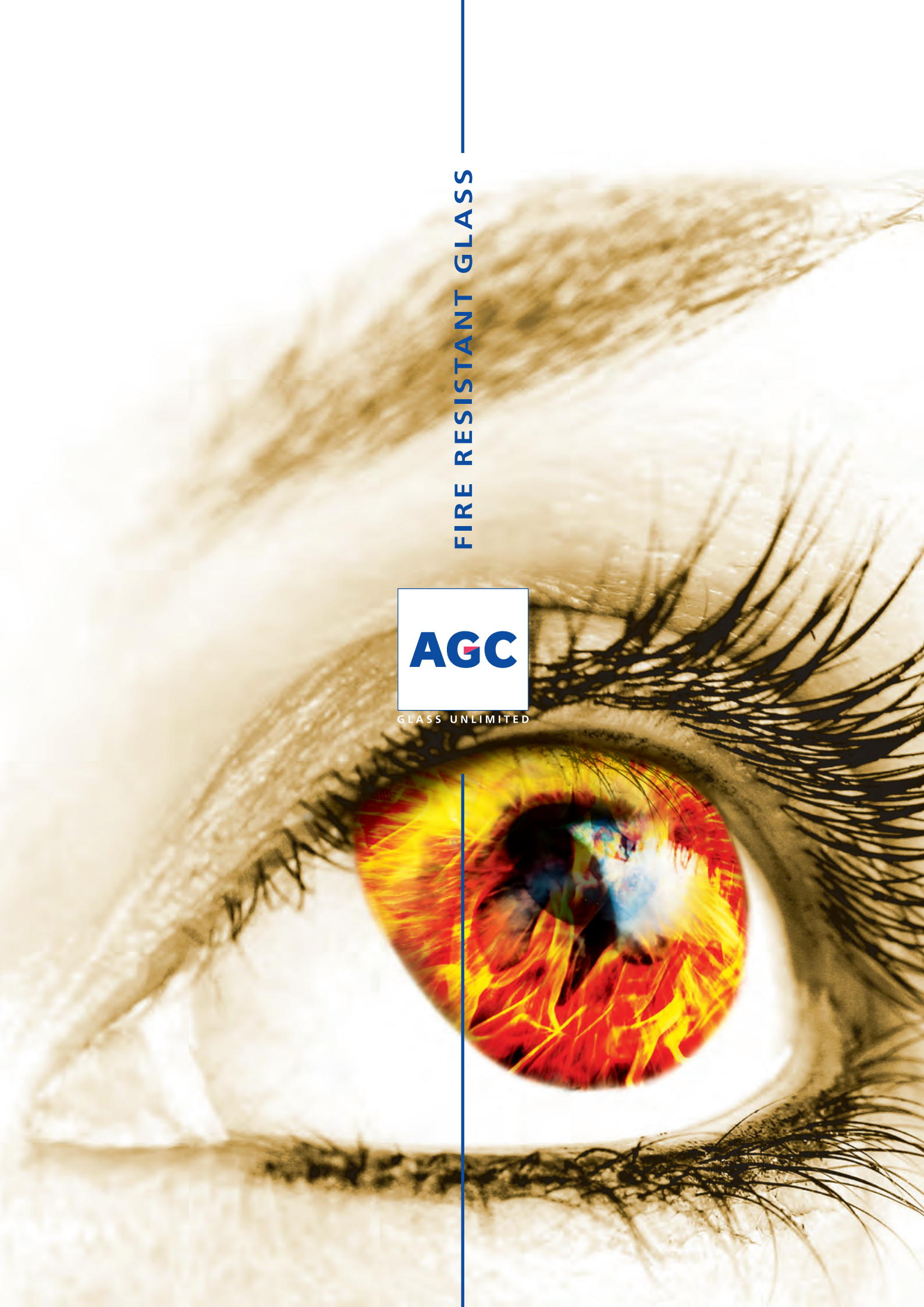


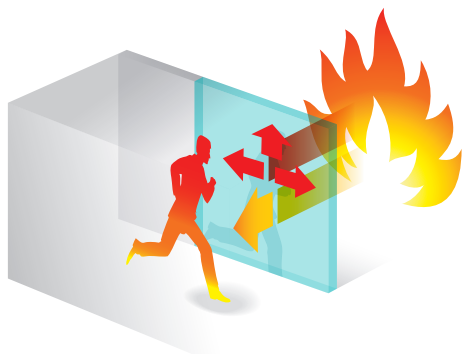
FIRE RESISTANT GLASS



GLASS UNLIMITED

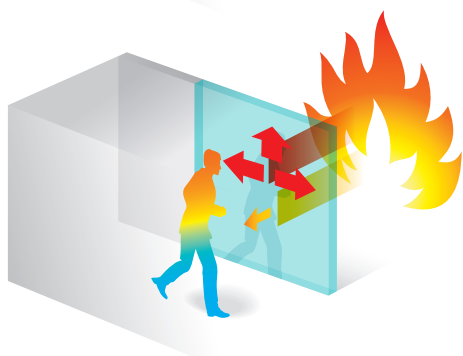


AGC Glass Europe offers a complete range of fire resistant glasses, tested and approved according to European and National Norms, that provide a unique combination of LIGHT, TRANSPARENCY and FIRE PROTECTION, for all building applications, framing types, fire resistance classes and durations:



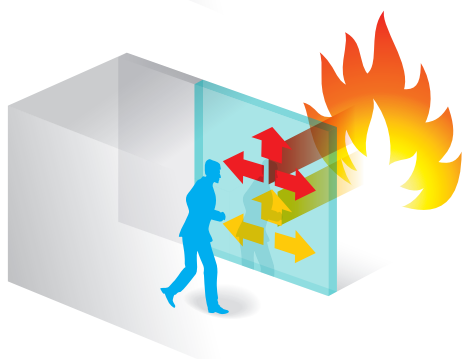
**Class E** : Integrity or the ability of the element to prevent the passage of flames. Heat transfer is allowed.

---



**Class EW** : Integrity and Low Heat Radiation or the ability of the element to prevent the passage of flames and to limit the level of heat transfer through the element.

---



**Class EI** : Integrity and Insulation or the ability of the element to prevent the passage of flames and to block the heat transfer through the element.

---

The required fire protection rating is specified by the respective national building regulations following a risk assessment based on the building characteristics and the location of the fire rated element (façade, partitioning walls, stairways, etc.)

### Fire protection ratings according to EN 13501-2 :

Class/Duration	15 min	20 min	30 min	45 min	60 min	90 min	120 min
<b>E</b>	-	E20	E30	-	E60	E90	E120
<b>EW</b>	-	EW20	EW30	-	EW60	EW90	EW120
<b>EI</b>	EI15	EI20	EI30	EI45	EI60	EI90	EI120





## PYROBEL

---

**Laminated glasses assembled with clear intumescent interlayers that meet the Integrity and Low Radiation criteria (EW) or the Integrity and Insulation criteria (EI).**

**In the event of a fire, the interlayers will expand and transform themselves into a rigid, opaque and heat absorbing fire shield.**

- Rated EW 30 and EW 60, EI 15, EI 30, EI 45, EI 60, EI 90, EI 120 according to EN 13501-2
- Approved in wooden, steel and aluminium framing systems
- Approved in frameless systems (butt-joint) as PYROBEL VISION LINE
- Available as single internal glazing, single external glazing with an UV filter (EG type) and double glazing unit (DGU) in combination with any other AGC glass product
- Safety glass according to EN 12600 (3B3, 2B2 or 1B1 acc. to product type)
- Bi-directional fire resistance
- Excellent acoustic insulation properties
- Can be laminated with burglar and bullet resistant AGC glasses
- Available in Clearvision (extra clear glass)
- Short delivery time from a wide network of distributors



## COMPLIANCE

---

Fire resistant glasses are only part of complete fire resistant elements.

It is the responsibility of the installer to ensure that the fire resistant element as a whole satisfies the regulations and / or to obtain the approval from the competent authorities.

AGC Europe do not accept any liability should the fire resistant glass be installed in systems that do not comply with regulations.

## PYROBEL STORAGE INSTRUCTIONS

---

Pyrobel must be stored in dry and ventilated conditions, at a temperature between -40°C and 50°C, not exposed to solar radiation or UV light.

In cases Pyrobel must always be transported and stored in upright position.

On racks, Pyrobel must be stored slightly inclined (6 to 10° from the vertical) and fully supported. A soft spacer must be placed between each glazing.

Do not pile up more than 20 sheets per rack.

Pyrobel is delivered in ready to install cut sizes, with an edge protection tape.

Pyrobel cannot be cut on site and the edge protection tape must not be removed nor damaged.



## PYROBEL GLAZING INSTRUCTIONS

---

Do not allow any contact of the glass edges with water

Avoid all glass to metal contact

Do not exercise any restraint on the glazing

Do not damage the glass edges nor the protection tape

Do not install Pyrobel in locations where the glass temperature might exceed 50 °C

Always refer to the fire test report details

For external application, or in case of direct solar radiation on the glazing, Pyrobel is available as external grade (EG), with a UV filter

Pyrobel External Grade must be correctly orientated with its stamp readable from the UV opposed side

## PYROBEL QUALITY DESCRIPTION

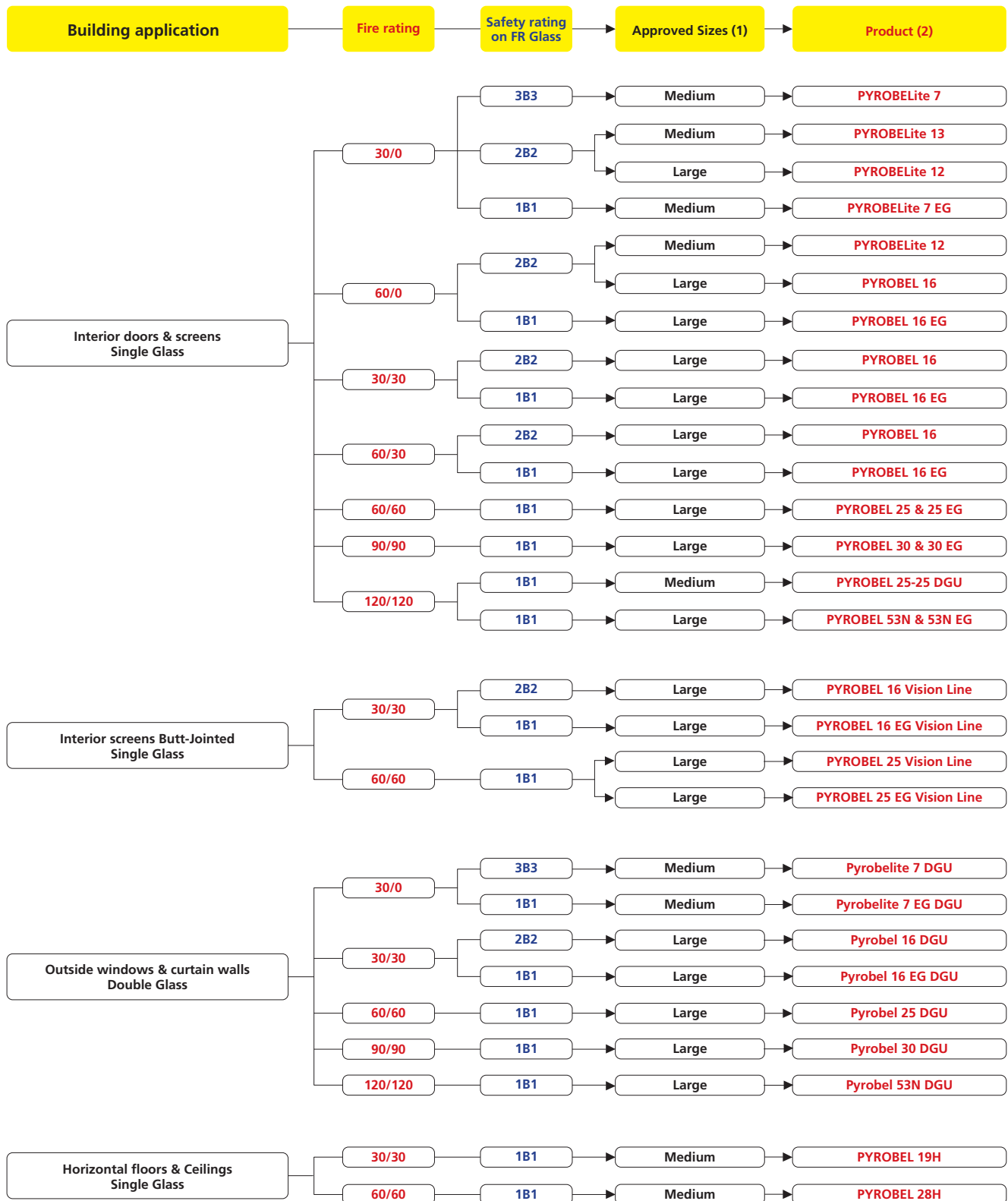
---

The Pyrobel quality and performances are carefully controlled at each step of production. Due to the nature of its special intumescent interlayers, Pyrobel may exhibit or develop some minor imperfections such as small inclusions and bubbles, a slight distortion and a light haze.

These features which do not affect the free vision nor the fire resistance of the glazing shall not be considered as defects provided the variation of haze and light transmission do not exceed 5%.



# AGC FIRE RESISTANT GLASS PRODUCT SELECTOR:



(1) For more informations about the approved framing systems and sizes, please refer to the respective Product Data Sheets  
 (2) Pyrobel(ite) in DGU structure can be either 6 - air - Pyrobel(ite) EG or Laminated glass 33.2 - air - Pyrobel(ite), all combined with or without all type of AGC coatings

All Pyrobel(ite) EG structures can be combined with Stratobel approved Anti-bandit (EN 356) or Anti-bullet (EN 1063) glasses.

# AGC GLASS EUROPE FIRE RESISTANT GLASS PRODUCT RANGE:

 Glass 
  0.76 mm PVB film 
  Intumescent interlayer 
  Gas gap

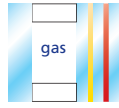
**PYROBELite 7**



**PYROBELite 7 EG**



**PYROBELite 7 EG DGU**



**PYROBELite 7 DGU**



**PYROBELite 13**



**PYROBELite 12**



**PYROBEL 16**



**PYROBEL 16 EG**



**PYROBEL 16 EG DGU**



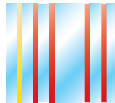
**PYROBEL 16 DGU**



**PYROBEL 25**



**PYROBEL 25 EG**



**PYROBEL 25 EG DGU**



**PYROBEL 25 DGU**



**PYROBEL 30**



**PYROBEL 30 EG**



**PYROBEL 30 EG DGU**



**PYROBEL 30 DGU**



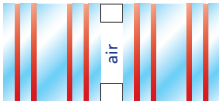
**PYROBEL 53N**



**PYROBEL 53N EG**



**PYROBEL 25-25 DGU**



# PYROBELITE 7

**FIRE RATING:  
30 MINUTES INTEGRITY / LOW RADIATION GLASS**

## DESCRIPTION

Pyrobelite is a laminated glass assembled with one clear intumescent interlayer.

In the event of fire, the interlayer expands at around 120 °C and transforms into a rigid and opaque fire shield, which enables the glazing to meet the integrity criterion of BS 476: Part 22: 1987 and to keep the heat radiation to a very low and safe level.

## TECHNICAL DATA

Specification & Identification	Pyrobelite 7 EW30 AGC	Pyrobelite 7EG EW30 AGC	Pyrobelite 7 or 7EG EW30 AGC
Glazing Type	Single	Single	Double Glazed
Grade	Internal	External	External
Nominal Thickness	7,9 mm	11,3 mm	a) 6/12/Pyrobelite 7EG = 29,3 mm b) 6.8/12/Pyrobelite 7 = 26,7 mm
Thickness Tolerance	± 0,9 mm	± 1 mm	± 2 mm
Weight	17 kg/m <sup>2</sup>	25 kg/m <sup>2</sup>	a) 40 kg/m <sup>2</sup> b) 33 kg/m <sup>2</sup>
Dimension Tolerance	± 2 mm	± 2 mm	± 3 mm
Light Transmission (EN410)	89 %	87 %	78 %
Ug Value (EN673)	5.7 W/(m <sup>2</sup> .K)	5.5 W/(m <sup>2</sup> .K)	2.8 W/(m <sup>2</sup> .K)
Safety Rating (BS6206) (EN12600)	Class C 3B3	Class A 1B1	Class A (*) a) NPD / 1B1 b) 1B1 / 3B3
Sound Reduction Rw index (EN12758)	34 dB	35 dB	37 dB (estimated)

(\*) On Pyrobelite 7EG or 6.8 laminated  
NPD = No Performance Determined

## APPLICATIONS AND CERTIFICATION according to BS 476:PART 22:1987

APPLICATIONS	MAXIMUM DIMENSIONS (*) (Width x Height)	GLASS TYPE	CERTIFICATION
Timber Doorsets (Certifire & Q-Mark approved)	890 x 2300 mm	Pyrobelite 7 & 7EG	Certifire CF377
	710 x 1830 mm	Pyrobelite 7	Chiltern Chilt/A05178
Timber Screens	1100 x 2900 mm 1375 x 2874 mm 1758 x 1758 mm 1958 x 820 mm	Pyrobelite 7 & 7EG	Certifire CF377
	840 x 2874 mm 1400 x 2300 mm 1794 x 1794 mm 1958 x 710 mm	Pyrobelite 7 & 7EG Double Glazed	
Steel Doorsets - RP Technik Hermetic 40 or Certifire approved	826 x 2086 mm 875 x 1968 mm	Pyrobelite 7 & 7EG Double Glazed	Certifire CF377
Steel Screens	1200 x 2300 mm 1661 x 1661 mm	Pyrobelite 7 & 7EG	Certifire CF377
Steel Screens - Jansen Economy 50	1170 x 2170 mm	Pyrobelite 7	BRE CC89390
Steel Screens - Forster Presto	669 x 1911 mm	Pyrobelite 7	IFC IFCA/97043A
Aluminium Screens - Schüco FW50+ BF & FW60+ BF	1200 x 2300 mm	Pyrobelite 7, 7EG & Double Glazed	IFC IFCA/08033
Composite Doorsets	528 x 979 mm	Pyrobelite 7 & 7EG Double Glazed	Certifire CF377
	580 x 890 mm		

(\*) For alternative dimensions within pane area please consult AGC Glass Europe

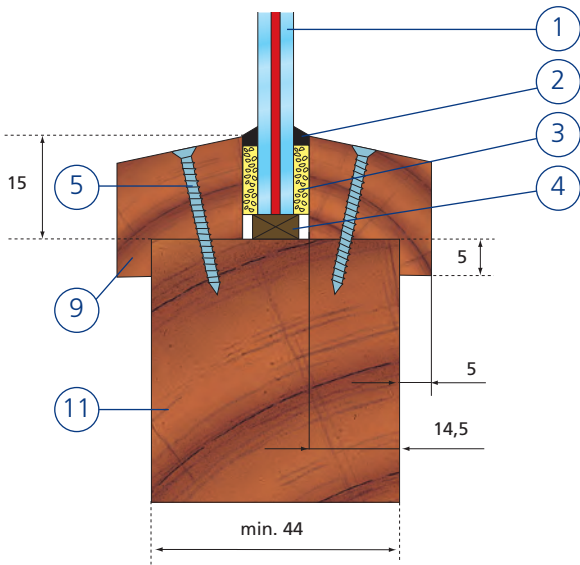


# PYROBELITE 7

FIRE RATING: 30 MINUTES INTEGRITY / LOW RADIATION GLASS

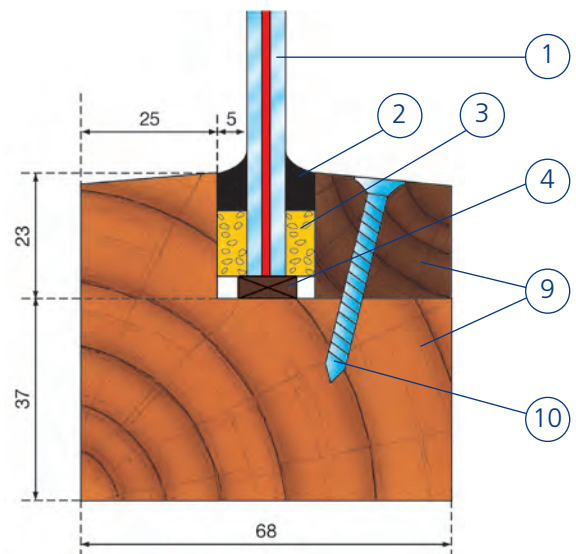
(dimensions in mm)

## Timber Doorset



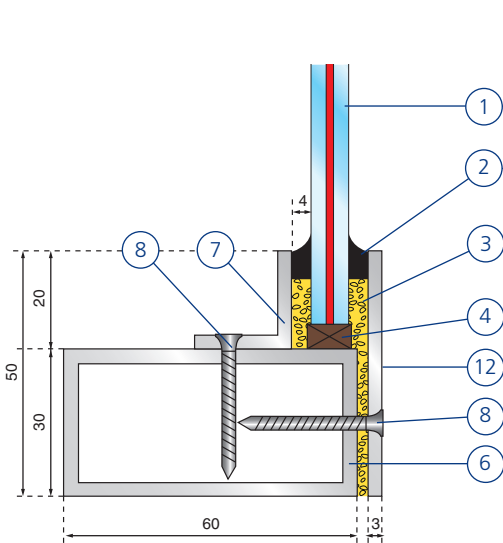
REPORT CHILT/A05178

## Timber Screen



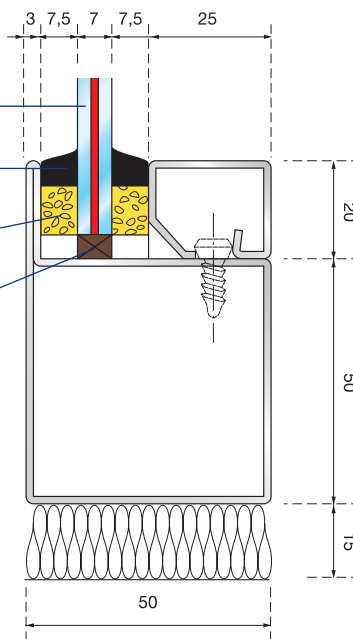
REPORT CERTIFIRE CF 377

## Steel Screen



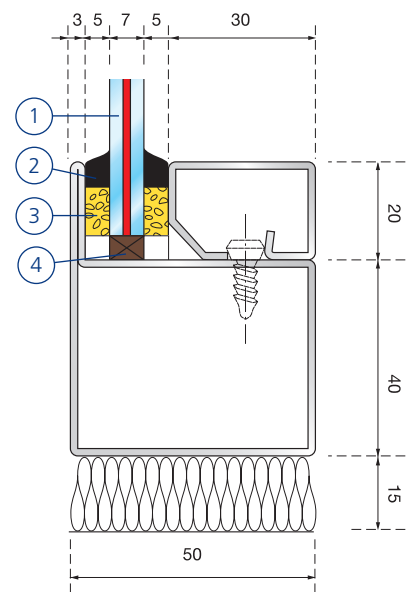
REPORT CERTIFIRE CF377

## Steel Screen Jansen Economy 50



REPORT BRE CC89390

## Steel Screen Forster Presto



REPORT IFC IFCA/97043A

- 1 Pyrobelite 7
- 2 Neutral silicone
- 3 Ceramic fibre paper 5 mm thick
- 4 Setting block 4 mm thick
- 5 Steel screw 50 mm long
- 6 Steel tube 60 x 30 x 3 mm
- 7 Steel angle 20 x 20 x 3 mm
- 8 Steel screws 30 x 3 mm at 250 mm centres
- 9 Hardwood
- 10 Steel screw 38 x 4 mm at 270 mm centres
- 11 Wood or other approved constructions
- 12 Steel plate 50 x 3 mm

Diagrams for illustration purposes only. For full glazing details please refer to the relevant test report.

www.yourglass.com



GLASS UNLIMITED

## AGC GLASS EUROPE

Overseas markets : AGC Glass Europe - Seneffe plant - Tel. +32(0)64 51 05 19 - Fax +32(0)64 55 80 80 - pyrobel@eu.agc.com  
 United Kingdom & Ireland : AGC Glass UK Ltd - Tel. +44(0)1788 535353 - Fax +44(0)1788 560853 - sales.uk@eu.agc.com

## PYROBELITE 13

FIRE RATING :  
30 MINUTES INTEGRITY / LOW RADIATION GLASS

### DESCRIPTION

Pyrobelite is a laminated glass assembled with one clear intumescent interlayer.

In the event of fire, the interlayer expands at around 120 °C and transforms into a rigid and opaque fire shield, which enables the glazing to meet the integrity criterion of BS 476: Part 22: 1987 and to keep the heat radiation to a very low and safe level.

### TECHNICAL DATA

Specification & Identification	Pyrobelite 13 EW30 AGC
Glazing Type	Single
Grade	Internal
Nominal Thickness	12,9 mm
Thickness Tolerance	± 1 mm
Weight	29 kg/m <sup>2</sup>
Dimension Tolerance	± 2 mm
Light Transmission (EN410)	86 %
Ug Value (EN673)	5.5 W/(m <sup>2</sup> .K)
Safety Rating (BS6206) (EN12600)	Class B 2B2
Sound Reduction Rw index (EN12758)	34 dB

### APPLICATIONS AND CERTIFICATION according to BS 476:PART 22:1987

APPLICATIONS	MAXIMUM DIMENSIONS (*) (Width x Height)	GLASS TYPE	CERTIFICATION
Timber Screens	1100 x 2900 mm 1375 x 2874 mm	Pyrobelite 13	Certifire CF377

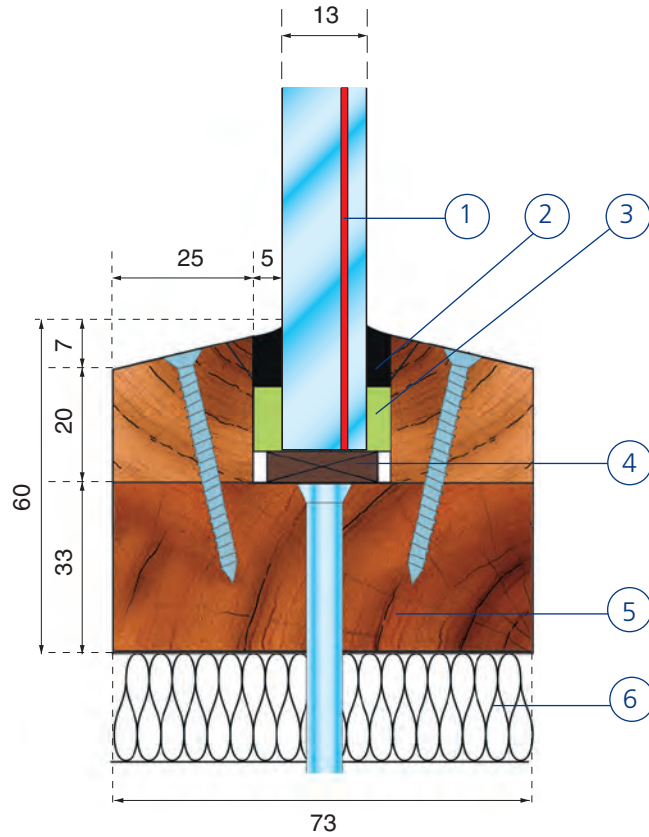
(\*) For alternative dimensions within pane area please consult AGC Glass Europe

# PYROBELITE 13

FIRE RATING : 30 MINUTES INTEGRITY / LOW RADIATION GLASS

(dimensions in mm)

## Timber Screen



REPORT CERTIFIRE CF377

- 1 Pyrobelite 13
- 2 Neutral silicone - Dow Corning Firestop 700
- 3 Ceramic fibre paper or closed cell foam tape
- 4 Setting block
- 5 Hardwood
- 6 Ceramic or mineral wool

Diagrams for illustration purposes only. For full glazing details please refer to the relevant test report.

[www.yourglass.com](http://www.yourglass.com)

**AGC**

GLASS UNLIMITED

### AGC GLASS EUROPE

Overseas markets : AGC Glass Europe - Seneffe plant - Tel. +32(0)64 51 05 19 - Fax +32(0)64 55 80 80 - [pyrobel@eu.agc.com](mailto:pyrobel@eu.agc.com)  
United Kingdom & Ireland : AGC Glass UK Ltd - Tel. +44(0)1788 535353 - Fax +44(0)1788 560853 - [sales.uk@eu.agc.com](mailto:sales.uk@eu.agc.com)

# PYROBELITE 12

**FIRE RATING:  
60 MINUTES INTEGRITY / LOW RADIATION GLASS**

## DESCRIPTION

Pyrobelite is a laminated glass assembled with clear intumescent interlayers.

In the event of fire, the interlayers expand at around 120 °C and transform into a rigid and opaque fire shield, which enables the glazing to meet the integrity criterion of BS 476: Part 22: 1987 and to keep the heat radiation to a very low and safe level.

## TECHNICAL DATA

Specification & Identification	Pyrobelite 12 EW60 AGC
Glazing Type	Single
Grade	Internal
Nominal Thickness	12,3 mm
Thickness Tolerance	± 1 mm
Weight	27 kg/m <sup>2</sup>
Dimension Tolerance	± 2 mm
Light Transmission (EN410)	86 %
Ug Value (EN673)	5.6 W/(m <sup>2</sup> .K)
Safety Rating (BS6206) (EN12600)	Class B 2B2
Sound Reduction Rw index (EN12758)	36 dB

## APPLICATIONS AND CERTIFICATION according to BS 476:PART 22:1987

APPLICATIONS	MAXIMUM DIMENSIONS (*) (Width x Height)	GLASS TYPE	CERTIFICATION
Timber Doorsets (Certifire & Q-Mark approved)	710 x 1830 mm	Pyrobelite 12	Certifire CF377 Chiltern Chilt/A05178
Timber Screens	914 x 2400 mm 1480 x 1480 mm 1886 x 418 mm	Pyrobelite 12	Certifire CF377
Steel Screens - Jansen Economy 50 or Certifire approved	695 x 2040 mm 750 x 1889 mm 1424 x 692 mm 1538 x 641 mm	Pyrobelite 12	Certifire CF377
	For E30 applications only 1644 x 2880 mm 1887 x 937 mm	Pyrobelite 12	Certifire CF377

(\*) For alternative dimensions within pane area please consult AGC Glass Europe

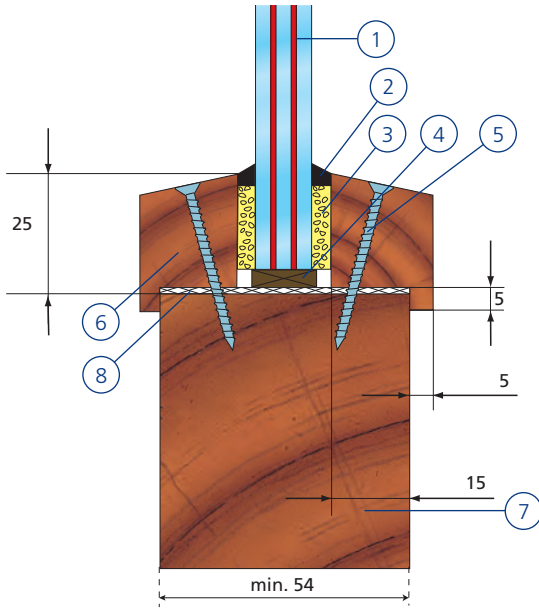


# PYROBELITE 12

FIRE RATING: 60 MINUTES INTEGRITY / LOW RADIATION GLASS

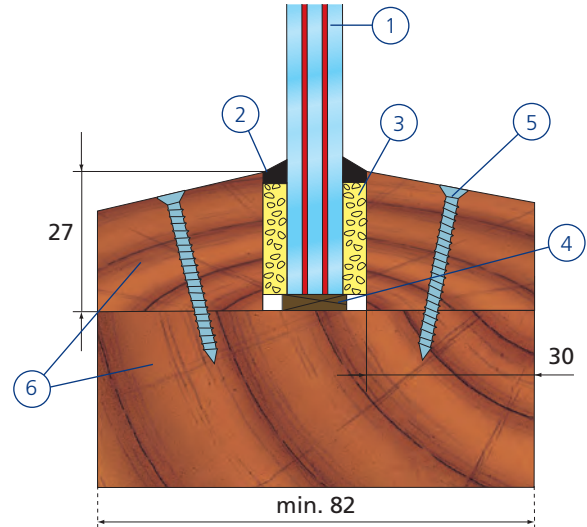
(dimensions in mm)

## Timber Doorset



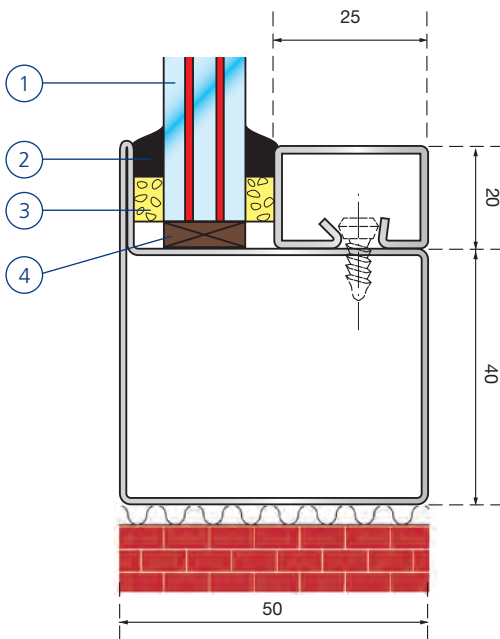
REPORT CHILTERN CHILT/A05178

## Timber Screen



REPORT CERTIFIRE CF377

## Steel Screen - Jansen Economy 50



REPORT CERTIFIRE CF377

- |                                  |  |
|----------------------------------|--|
| 1 Pyrobelite 12                  | 5 Steel screws 60 mm long              |
| 2 Neutral silicone               | 6 Hardwood                             |
| 3 Ceramic fibre paper 5 mm thick | 7 Wood or other approved constructions |
| 4 Setting block 4 mm thick       | 8 Therm-A-Strip 2 mm thick             |

Diagrams for illustration purposes only. For full glazing details please refer to the relevant test report.

www.yourglass.com



GLASS UNLIMITED

### AGC GLASS EUROPE

Overseas markets : AGC Glass Europe - Seneffe plant - Tel. +32(0)64 51 05 19 - Fax +32(0)64 55 80 80 - pyrobel@eu.agc.com  
 United Kingdom & Ireland : AGC Glass UK Ltd - Tel. +44(0)1788 535353 - Fax +44(0)1788 560853 - sales.uk@eu.agc.com

# PYROBEL 16

**FIRE RATING:  
60 MINUTES INTEGRITY / 30 MINUTES INSULATION**

## DESCRIPTION

Pyrobel is a multi-laminated glass assembled with clear intumescent interlayers.

In the event of fire, these interlayers expand at around 120 °C and transform into a rigid and opaque fire shield, which enables the glazing to meet the integrity and insulation criteria, according to BS 476: Part 22: 1987.

## TECHNICAL DATA

Specification & Identification	Pyrobel 16 E60 / EI30 AGC	Pyrobel 16EG E60 / EI30 AGC	Pyrobel 16 or 16EG E60 / EI30 AGC
Glazing Type	Single	Single	Double Glazed
Grade	Internal	External	External
Nominal Thickness	17,3 mm	21,1 mm	a) 6/12/Pyrobel 16EG = 39,1 mm b) 6.8/12/Pyrobel 16 = 36,1 mm
Thickness Tolerance	± 1 mm	± 1,5 mm	± 3 mm
Weight	40 kg/m <sup>2</sup>	48 kg/m <sup>2</sup>	a) 63 kg/m <sup>2</sup> b) 56 kg/m <sup>2</sup>
Dimension Tolerance	± 2 mm	± 2 mm	± 3 mm
Light Transmission (EN410)	84 %	83 %	74 %
Ug Value (EN673)	5.4 W/(m <sup>2</sup> .K)	5.2 W/(m <sup>2</sup> .K)	2.7 W/(m <sup>2</sup> .K)
Safety Rating (BS6206 (EN12600))	Class B 2B2	Class A 1B1	Class A (*) a) NPD / 1B1 b) 1B1 / 2B2
Sound Reduction Rw index (EN12758)	39 dB	39 dB	41 dB (estimated)

(\*) On Pyrobel 16EG or 6.8 laminated glass side  
NPD = No Performance Determined

## APPLICATIONS AND CERTIFICATION according to BS 476:PART 22:1987

APPLICATIONS	MAXIMUM DIMENSIONS (*) (Width x Height)	GLASS TYPE	CERTIFICATION
Timber Doorsets (Certifire & Q-Mark approved)	710 x 1830 mm	Pyrobel 16 & 16EG	Certifire CF377 Chiltern Chilt/A05178
Timber Screens	1400 x 2700 mm 1944 x 1944 mm	Pyrobel 16 & 16EG	Certifire CF377
	For EI30 applications only 1600 x 2900 mm 1920 x 1900 mm	Pyrobel 16 & 16EG	Certifire CF377
Steel Doorsets - Forster Fuegolight or Certifire approved	For EI30 applications only 1700 x 2900 mm 2125 x 1700 mm	Pyrobel 16 & 16EG Double Glazed	Certifire CF377
	For EI30 applications only 1404 x 2980 mm 1755 x 2384 mm	Pyrobel 16 & Pyrobel 16 Double Glazed	Certifire CF377
Steel Screens - Calcium silicate insulated steel frame	1400 x 2970 mm 2040 x 2040 mm	Pyrobel 16	Warrington WFRC C102254
Steel Screens - Jansen Janisol 2 or Certifire approved	900 x 2900 mm 2060 x 500 mm	Pyrobel 16	Certifire CF377
Steel Screens - Jansen Janisol 2, Forster Fuegolight or Certifire approved	For EI30 applications only 1600 x 2900 mm 1920 x 1900 mm	Pyrobel 16 & 16EG	Certifire CF377
	For EI30 applications only 1440 x 2935 mm 2835 x 1400 mm	Pyrobel 16 & 16EG Double Glazed	Certifire CF377
Steel Screens - Jansen Economy 50 or Certifire approved	For E60 applications only 695 x 2140 mm 1613 x 641 mm	Pyrobel 16	Certifire CF377
Aluminium Screens - Schüco BF50+ and BF60+	For EI30 applications only 1252 x 2860 mm 2860 x 1400 mm	Pyrobel 16 & 16EG Double Glazed	Certifire CF377
Aluminium Screens - Sapa 4150	For EI30 applications only 1500 x 2900 mm	Pyrobel 16 & 16EG Double Glazed	Certifire CF377

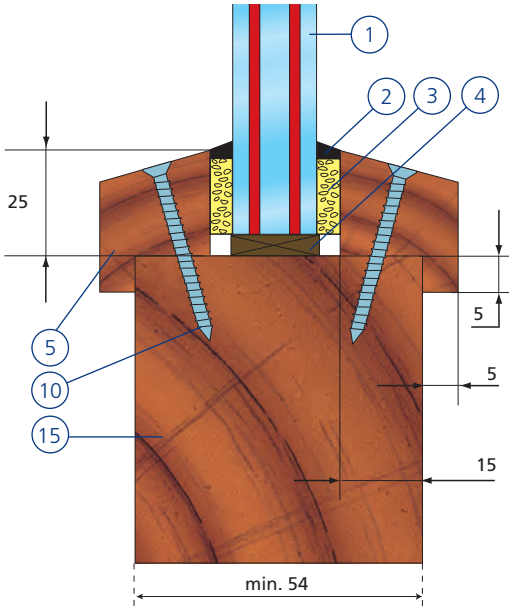
(\*) For alternative dimensions within pane area please consult AGC Glass Europe

# PYROBEL 16

FIRE RATING: 60 MINUTES INTEGRITY / 30 MINUTES INSULATION

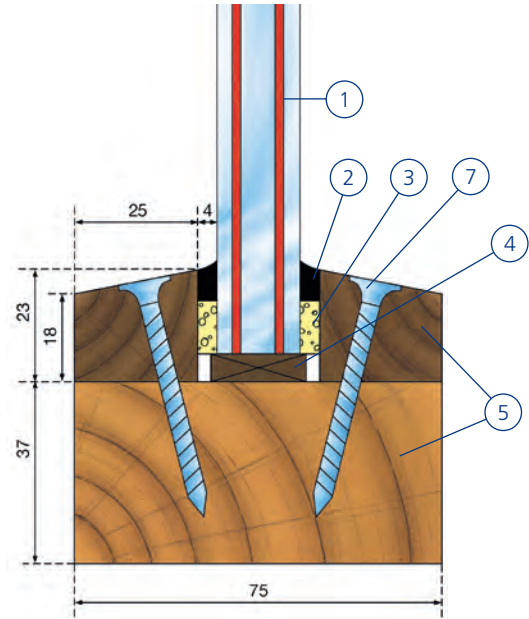
(dimensions in mm)

## Timber Doorset



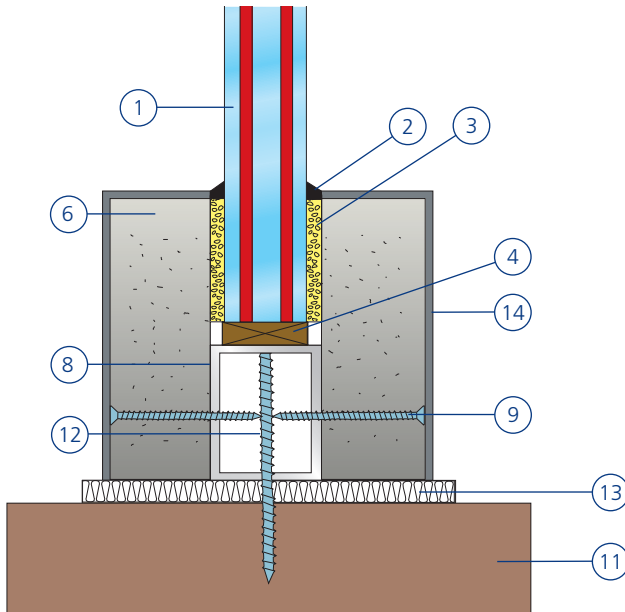
REPORT CHILTERN CHILT/A05178

## Timber Screen



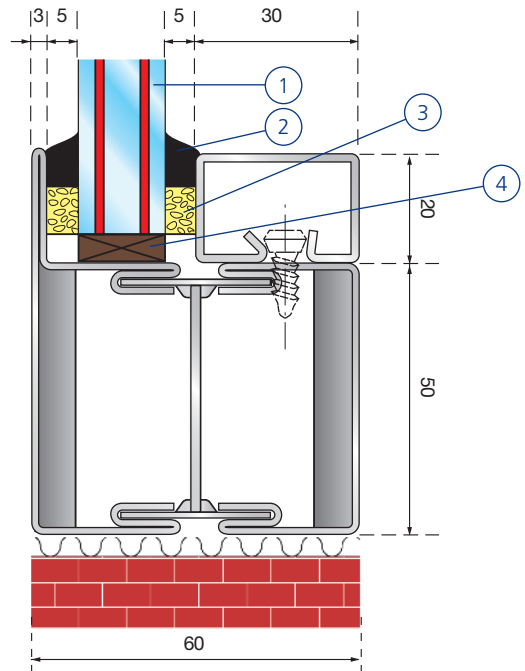
REPORT CERTIFIRE CF377

## Steel Screen



REPORT WARRINGTON WFRC C102254

## Steel Screen - Jansen Janisol 2



REPORT CERTIFIRE CF377

- |  |   |
|--|---|
| 1 Pyrobel 16                               | 9 MT screws 35 x 5 mm                   |
| 2 Silicone Sealant                         | 10 Steel screws 60 x 4 mm               |
| 3 Foam tape with closed cells              | 11 Supporting Construction              |
| 4 Setting block                            | 12 Steel screw 50 x 5 mm + Plug         |
| 5 Hardwood                                 | 13 Rock Wool                            |
| 6 Calcium Silicate 49 x 20mm               | 14 Aesthetic Metal Cladding             |
| 7 Steel screws 50 x 4 mm at 250 mm centres | 15 Wood or other approved constructions |
| 8 Steel tube 25 x 25 x 3mm                 |   |

Diagrams for illustration purposes only. For full glazing details please refer to the relevant test report.

www.yourglass.com



GLASS UNLIMITED

## AGC GLASS EUROPE

Overseas markets : AGC Glass Europe - Seneffe plant - Tel. +32(0)64 51 05 19 - Fax +32(0)64 55 80 80 - pyrobel@eu.agc.com  
 United Kingdom & Ireland : AGC Glass UK Ltd - Tel. +44(0)1788 535353 - Fax +44(0)1788 560853 - sales.uk@eu.agc.com

# PYROBEL 25

**FIRE RATING:  
60 MINUTES INTEGRITY / 60 MINUTES INSULATION**

## DESCRIPTION

Pyrobel is a multi-laminated glass assembled with clear intumescent interlayers.

In the event of fire, these interlayers expand at around 120 °C and transform into a rigid and opaque fire shield, which enables the glazing to meet the integrity and insulation criteria, according to BS 476: Part 22: 1987.

## TECHNICAL DATA

Specification & Identification	Pyrobel 25 EI60 AGC	Pyrobel 25EG EI60 AGC	Pyrobel 25 or 25EG EI60 AGC
Glazing Type	Single	Single	Double Glazed
Grade	Internal	External	External
Nominal Thickness	26,6 mm	30,4 mm	a) 6/12/Pyrobel 25EG = 48,4 mm b) 6.8/12/Pyrobel 25 = 45,4 mm
Thickness Tolerance	± 2 mm	± 2 mm	± 3 mm
Weight	60 kg/m <sup>2</sup>	68 kg/m <sup>2</sup>	a) 83 kg/m <sup>2</sup> b) 76 kg/m <sup>2</sup>
Dimension Tolerance	± 2 mm	± 2 mm	± 3 mm
Light Transmission (EN410)	81 %	80 %	71 %
Ug Value (EN673)	5.2 W/(m <sup>2</sup> .K)	5.0 W/(m <sup>2</sup> .K)	2.6 W/(m <sup>2</sup> .K)
Safety Rating (BS6206) (EN12600)	Class A 1B1	Class A 1B1	Class A (*) a) NPD / 1B1 b) 1B1 / 1B1
Sound Reduction Rw index (EN12758)	40 dB	43 dB	44 dB (estimated)

(\*) On Pyrobel or 6.8 laminated glass side  
NPD = No Performance Determined

## APPLICATIONS AND CERTIFICATION according to BS 476:PART 22:1987

APPLICATIONS	MAXIMUM DIMENSIONS (*) (Width x Height)	GLASS TYPE	CERTIFICATION
Timber Doorsets (Certifire & Q-Mark approved)	710 x 1830 mm	Pyrobel 25 & 25EG	Certifire CF377 Chiltern Chilt/A05178
Timber Screens	1658 x 2874 mm 2283 x 2000 mm	Pyrobel 25, 25EG & Double Glazed	Certifire CF377
Steel Doorsets - RP Technik Isofeu 60 or Certifire approved	988 x 2900 mm 1282 x 2300 mm	Pyrobel 25 & 25EG	Certifire CF377
	898 x 2875 mm 1122 x 2300 mm	Pyrobel 25 & 25EG Double Glazed	Certifire CF377
Steel Screens - Calcium silicate insulated steel frame or Certifire approved	1300 x 2300 mm 2615 x 1500 mm	Pyrobel 25 & 25EG	Certifire CF377
Steel Screens - Forster Fuegolight	1400 x 2900 mm 1750 x 2700 mm	Pyrobel 25 & 25EG	Certifire CF377
Steel Screens - Jansen Janisol 3	1600 x 2900 mm	Pyrobel 25 & 25EG	Certifire CF377
Steel Screens - Forster Thermfix Vario, Jansen VISS or Certifire approved	1875 x 2900 mm 2900 x 1082 mm	Pyrobel 25 & 25EG Double Glazed	Certifire CF377
Aluminium Screens - Sapa SFB 3074 or Schüco Firestop II	1425 x 2700 mm	Pyrobel 25 & 25EG	Certifire CF377
Aluminium Screens - Schüco Firestop II	1404 x 2686 mm	Pyrobel 25 & 25EG Double Glazed	Certifire CF377

(\*) For alternative dimensions within pane area please consult AGC Glass Europe

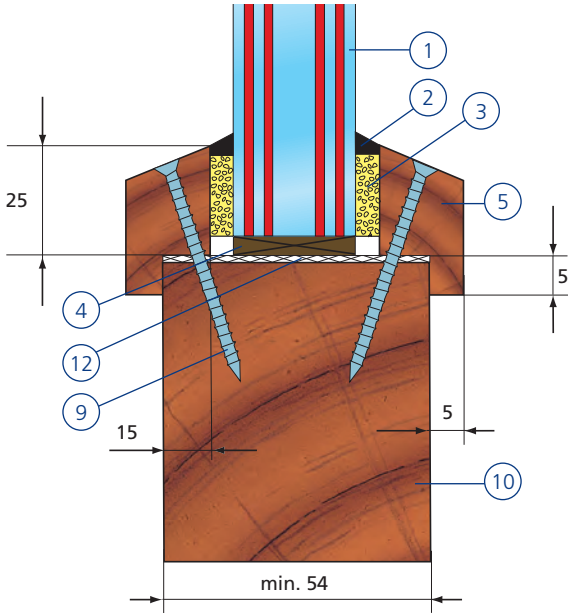


# PYROBEL 25

FIRE RATING: 60 MINUTES INTEGRITY / 60 MINUTES INSULATION

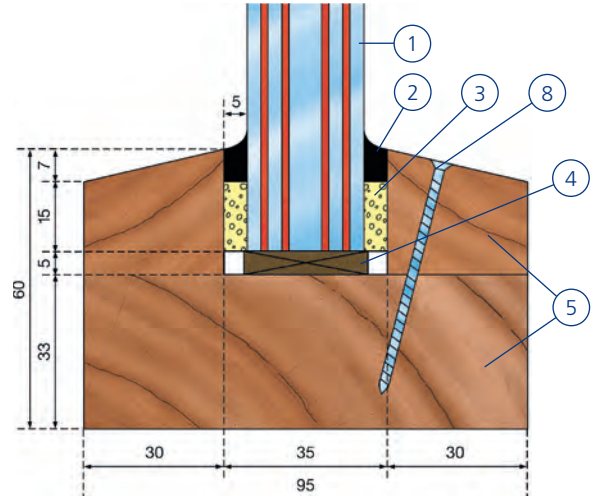
(dimensions in mm)

## Timber Doorset



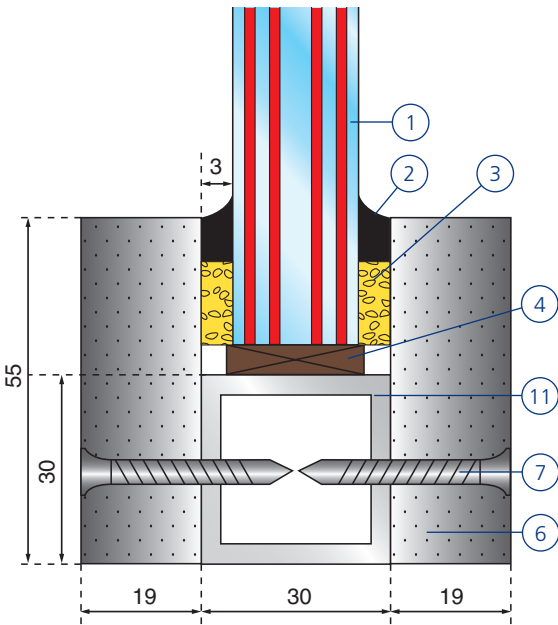
REPORT CHILTERN CHILT/A05178

## Timber Screen



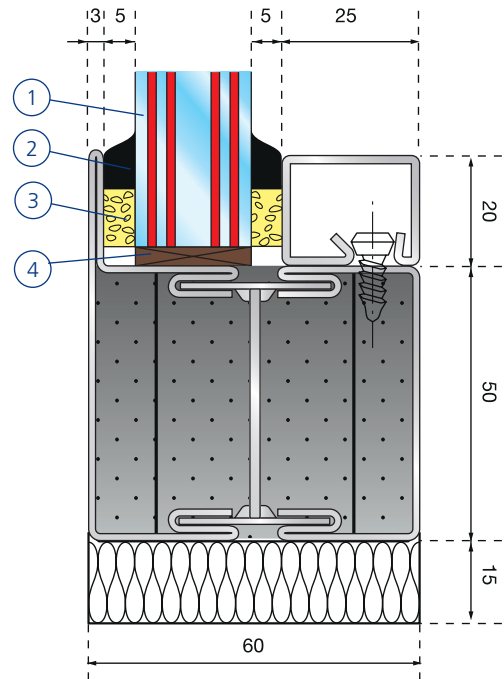
REPORT CERTIFIRE CF377

## Steel Screen



REPORT CERTIFIRE CF377

## Steel Screen - Jansen Janisol 3



REPORT CERTIFIRE CF377

- |                               |  |
|-------------------------------|--|
| 1 Pyrobel 25                  | 7 Steel screws 35 x 4 mm at 250 mm centres |
| 2 Neutral silicone            | 8 Steel screws 50 x 4 mm at 250 mm centres |
| 3 Foam tape with closed cells | 9 Steel screws 60 x 4 mm                   |
| 4 Setting block               | 10 Wood or other approved constructions    |
| 5 Hardwood                    | 11 Steel tube 30 x 30 x 3 mm               |
| 6 Calcium Silicate            | 12 Therm-A-Strip 2 mm thick                |

Diagrams for illustration purposes only. For full glazing details please refer to the relevant test report.

www.yourglass.com



GLASS UNLIMITED

### AGC GLASS EUROPE

Overseas markets : AGC Glass Europe - Seneffe plant - Tel. +32(0)64 51 05 19 - Fax +32(0)64 55 80 80 - pyrobel@eu.agc.com  
 United Kingdom & Ireland : AGC Glass UK Ltd - Tel. +44(0)1788 535353 - Fax +44(0)1788 560853 - sales.uk@eu.agc.com

# PYROBEL 30

**FIRE RATING:**  
90 MINUTES INTEGRITY / 90 MINUTES INSULATION

## DESCRIPTION

Pyrobel is a multi-laminated glass assembled with clear intumescent interlayers.

In the event of fire, these interlayers expand at around 120 °C and transform into a rigid and opaque fire shield, which enables the glazing to meet the integrity and insulation criteria, according to BS 476: Part 22: 1987.

## TECHNICAL DATA

Specification & Identification	Pyrobel 30 EI90 AGC	Pyrobel 30EG EI90 AGC	Pyrobel 30 or 30EG EI90 AGC
Glazing Type	Single	Single	Double Glazed
Grade	Internal	External	External
Nominal Thickness	30,0 mm	33,7 mm	8.8/12/Pyrobel 30 = 50,8 mm
Thickness Tolerance	± 2,5 mm	± 2,8 mm	± 3 mm
Weight	69 kg/m <sup>2</sup>	77 kg/m <sup>2</sup>	90 kg/m <sup>2</sup>
Dimension Tolerance	± 2 mm	± 2 mm	± 3 mm
Light Transmission (EN410)	83 %	81 %	73 %
Ug Value (EN673)	5.1 W/(m <sup>2</sup> .K)	4.9 W/(m <sup>2</sup> .K)	2.7 W/(m <sup>2</sup> .K)
Safety Rating (BS6206) (EN12600)	Class A 1B1	Class A 1B1	Class A (*) 1B1 / 1B1
Sound Reduction Rw index (EN12758)	42 dB	43 dB	44 dB (estimated)

(\*) On Pyrobel or 8.8 laminated glass side

## APPLICATIONS AND CERTIFICATION according to BS 476:PART 22:1987

APPLICATIONS	MAXIMUM DIMENSIONS (*) (Width x Height)	GLASS TYPE	CERTIFICATION
Steel Screens - Jansen Janisol C4 or Certifire approved	940 x 1508 mm 2502 x 1302 mm	Pyrobel 30, 30 EG & Double Glazed	Certifire CF377

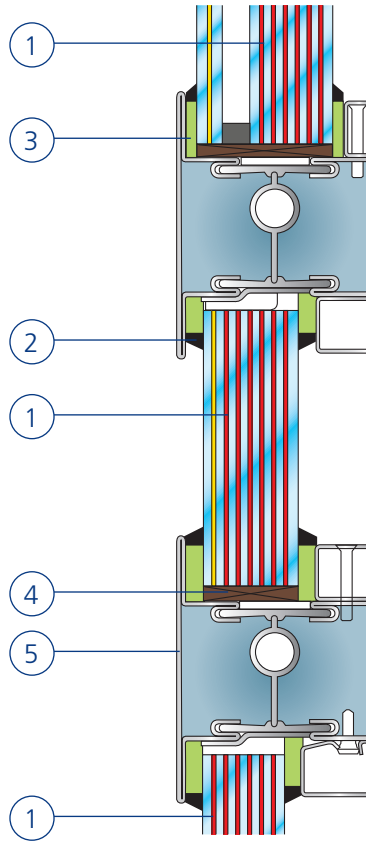
(\*) For alternative dimensions within pane area please consult AGC Glass Europe

# PYROBEL 30

FIRE RATING: 90 MINUTES INTEGRITY / 90 MINUTES INSULATION

(dimensions in mm)

## Steel Screen - Jansen Janisol C4



REPORT CERTIFIRE CF377

- 1 Pyrobel 30 / Pyrobel 30EG / Pyrobel 30 DGU
- 2 Neutral silicone - Dow Corning DC791T
- 3 Ceramic fibre paper
- 4 Setting block
- 5 Steel frame - Jansen Janisol C4

Diagrams for illustration purposes only. For full glazing details please refer to the relevant test report.

[www.yourglass.com](http://www.yourglass.com)



GLASS UNLIMITED

### AGC GLASS EUROPE

Overseas markets : AGC Glass Europe - Seneffe plant - Tel. +32(0)64 51 05 19 - Fax +32(0)64 55 80 80 - [pyrobel@eu.agc.com](mailto:pyrobel@eu.agc.com)  
United Kingdom & Ireland : AGC Glass UK Ltd - Tel. +44(0)1788 535353 - Fax +44(0)1788 560853 - [sales.uk@eu.agc.com](mailto:sales.uk@eu.agc.com)

# PYROBEL 53N & PYROBEL 25-25 DGU

FIRE RATING:  
120 MINUTES INTEGRITY / 120 MINUTES INSULATION

## DESCRIPTION

Pyrobel is a multi-laminated glass assembled with clear intumescent interlayers.

In the event of fire, these interlayers expand at around 120 °C and transform into a rigid and opaque fire shield, which enables the glazing to meet the integrity and insulation criteria, according to BS 476: Part 22: 1987.

## TECHNICAL DATA

Specification & Identification	Pyrobel 53N E1120 AGC	Pyrobel 53N EG E1120 AGC	Pyrobel 25-25 DGU E1120 AGC
Glazing Type	Single	Single	Double Glazed
Grade	Internal	External	Internal
Nominal Thickness	52,7 mm	56,5 mm	59,2 mm
Thickness Tolerance	± 3 mm	± 3 mm	± 3 mm
Weight	122 kg/m <sup>2</sup>	130 kg/m <sup>2</sup>	120 kg/m <sup>2</sup>
Dimension Tolerance	± 3 mm	± 3 mm	± 3 mm
Light Transmission (EN410)	75 %	73 %	66 %
Ug Value (EN673)	4.5 W/(m <sup>2</sup> .K)	4.4 W/(m <sup>2</sup> .K)	2.9 W/(m <sup>2</sup> .K)
Safety Rating (BS6206) (EN12600)	Class A 1B1	Class A 1B1	Class A 1B1
Sound Reduction Rw index (EN12758)	48 dB	49 dB	47 dB (estimated)

## APPLICATIONS AND CERTIFICATION according to BS 476:PART 22:1987

APPLICATIONS	MAXIMUM DIMENSIONS (*) (Width x Height)	GLASS TYPE	CERTIFICATION
Steel Screens - Forster Fuego or Certifire approved	1207 x 2890 mm 1465 x 770 mm	Pyrobel 53N & 53N EG	Certifire CF377
Steel Screens - Calcium silicate insulated steel frame or Certifire approved	920 x 1320 mm 935 x 1300 mm	Pyrobel 25-25 DGU	Certifire CF377

(\*) For alternative dimensions within pane area please consult AGC Glass Europe

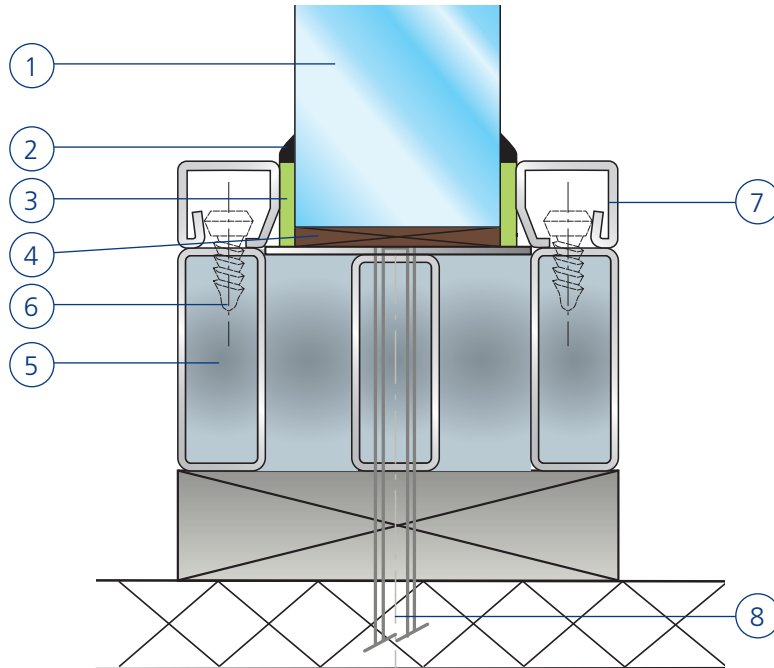


# PYROBEL 53N & PYROBEL 25-25 DGU

FIRE RATING: 120 MINUTES INTEGRITY / 120 MINUTES INSULATION

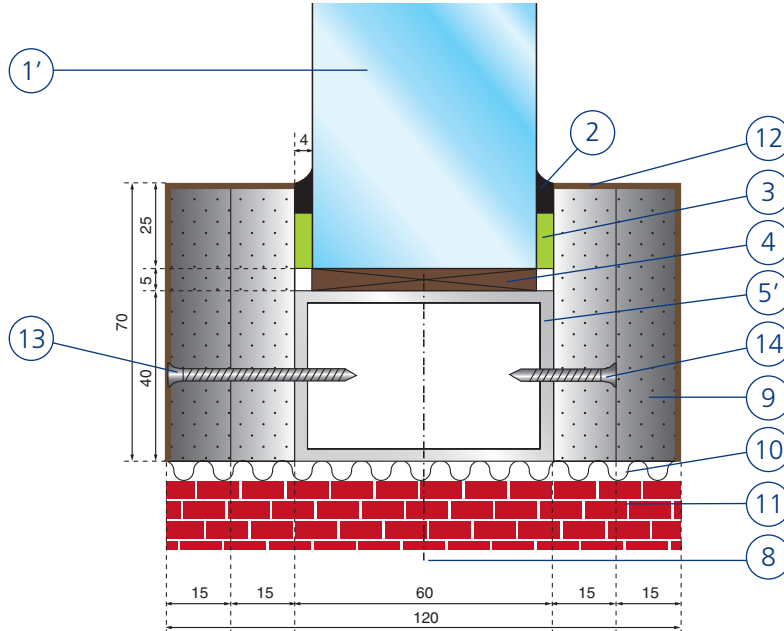
(dimensions in mm)

## Steel Screen - Forster Fuego



REPORT CERTIFIRE CF377

## Steel Screen



REPORT CERTIFIRE CF377

- |                                |                               |                             |
|--------------------------------|-------------------------------|-----------------------------|
| 1 Pyrobel 53N / Pyrobel 53N EG | 5 Steel frame - Forster Fuego | 10 Ceramic wool             |
| 1' Pyrobel 25-25 DGU           | 5' Steel tube 60 x 40 x 3 mm  | 11 Wall                     |
| 2 Neutral silicone             | 6 Steel screws                | 12 Aluminium profile        |
| Dow Corning Firestop 700       | 7 Steel beads                 | 13 Steel screws 45 x 3,5 mm |
| 3 Ceramic fibre paper          | 8 Hilti 100HT - 10 x 112 mm   | 14 Steel screws 35 x 3,5 mm |
| 4 Setting block                | 9 Calcium silicate            |                             |

Diagrams for illustration purposes only. For full glazing details please refer to the relevant test report.

www.yourglass.com



GLASS UNLIMITED

### AGC GLASS EUROPE

Overseas markets : AGC Glass Europe - Seneffe plant - Tel. +32(0)64 51 05 19 - Fax +32(0)64 55 80 80 - pyrobel@eu.agc.com  
 United Kingdom & Ireland : AGC Glass UK Ltd - Tel. +44(0)1788 535353 - Fax +44(0)1788 560853 - sales.uk@eu.agc.com

# PYROBEL Horizontal Glazing

**FIRE RATING:**

**PYROBEL 19H:**

30 MINUTES INTEGRITY / 30 MINUTES INSULATION

**PYROBEL 28H:**

60 MINUTES INTEGRITY / 60 MINUTES INSULATION

## DESCRIPTION

Pyrobel is a multi-laminated glass assembled with clear intumescent interlayers.

In the event of fire, these interlayers expand at around 120 °C and transform into a rigid and opaque fire shield, which enables the glazing to meet the integrity and insulation criteria, according to BS 476: Part 22: 1987.

## TECHNICAL DATA

Specification & Identification	Pyrobel 19H EI30 AGC	Pyrobel 28H EI60 AGC
Glazing Type	Single	Single
Nominal Thickness	19,1 mm	28,4 mm
Thickness Tolerance	± 1,5 mm	± 2 mm
Weight	43 kg/m <sup>2</sup>	63 kg/m <sup>2</sup>
Dimension Tolerance	± 2 mm	± 2 mm
Light Transmission (EN410)	81 %	78 %
Ug Value (EN673)	5.2 W/(m <sup>2</sup> .K)	4.9 W/(m <sup>2</sup> .K)
Safety Rating (BS6206) (EN12600)	Class A 1B1	Class A 1B1
Sound Reduction Rw index (EN12758)	38 dB	41 dB

## APPLICATIONS AND CERTIFICATION according to BS 476:PART 22:1987

APPLICATIONS	MAXIMUM DIMENSIONS (*) (Width x Height)	GLASS TYPE	CERTIFICATION
EI30 - Steel Screens	1100 x 2100 mm	Pyrobel 19H	Certifire CF377
EI60 - Timber Screens	700 x 2060 mm	Pyrobel 28H	BRE CC88595
EI60 - Steel Screens	1100 x 2100 mm	Pyrobel 28H	Certifire CF377

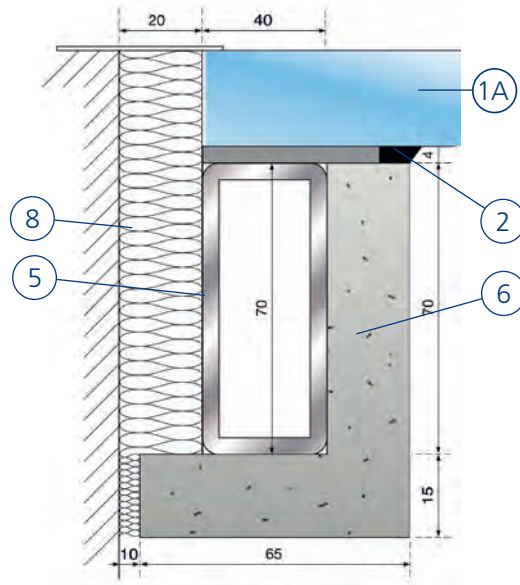
(\*) For alternative dimensions within pane area please consult AGC Glass Europe

# PYROBEL Horizontal Glazing

FIRE RATING: PYROBEL 19H: 30 MINUTES INTEGRITY / 30 MINUTES INSULATION  
 PYROBEL 28H: 60 MINUTES INTEGRITY / 60 MINUTES INSULATION

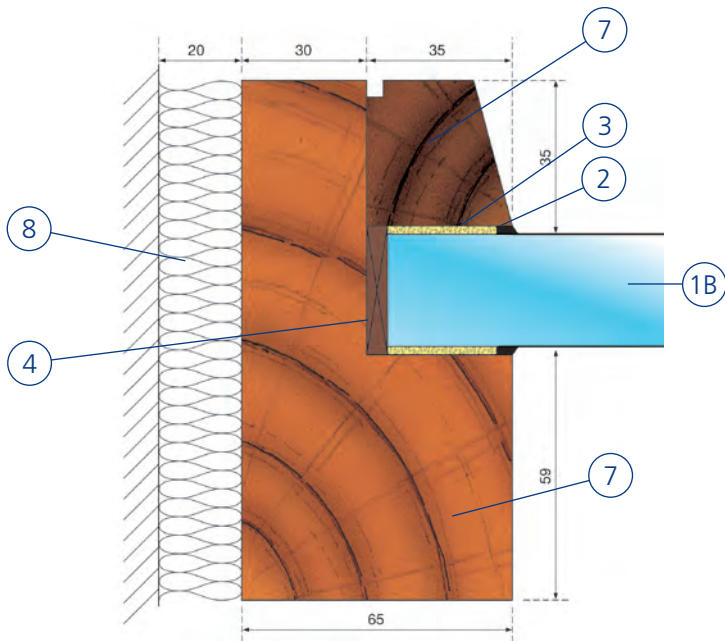
(dimensions in mm)

## Steel Screen 30/30



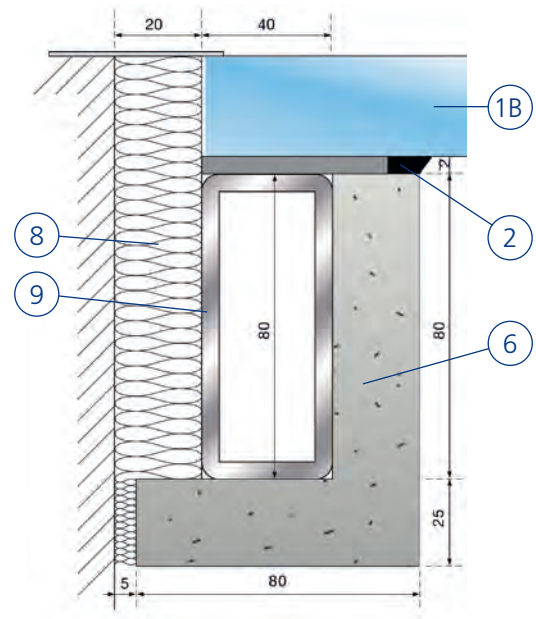
REPORT CERTIFIRE CF377

## Timber Screen 60/60



REPORT BRE CC88595

## Steel Screen 60/60



REPORT CERTIFIRE CF377

- |                               |                             |
|-------------------------------|-----------------------------|
| 1A Pyrobel 19H                | 5 Steel tube 70 x 40 x 4 mm |
| 1B Pyrobel 28H                | 6 Calcium silicate          |
| 2 Neutral silicone            | 7 Hardwood                  |
| 3 Foam tape with closed cells | 8 Mineral wool              |
| 4 Setting block               | 9 Steel Tube 80 x 40 x 5 mm |

Diagrams for illustration purposes only. For full glazing details please refer to the relevant test report. These glasses are not suitable for walking purpose. Please consult AGC Glass Europe for advice.



www.yourglass.com

GLASS UNLIMITED

### AGC GLASS EUROPE

Overseas markets : AGC Glass Europe - Seneffe plant - Tel. +32(0)64 51 05 19 - Fax +32(0)64 55 80 80 - pyrobel@eu.agc.com  
 United Kingdom & Ireland : AGC Glass UK Ltd - Tel. +44(0)1788 535353 - Fax +44(0)1788 560853 - sales.uk@eu.agc.com



---

[www.yourglass.com](http://www.yourglass.com)

GLASS UNLIMITED

Overseas markets : AGC Glass Europe - Seneffe plant - Tel. : +32 (0)64 51 05 19 - Fax : +32 (0)64 55 80 80 - [pyrobel@eu.agc.com](mailto:pyrobel@eu.agc.com)  
United Kingdom & Ireland : AGC Glass UK Ltd - Tel. : +44 (0)1788 53 53 53 - Fax : +44(0)1788 56 08 53 - [sales.uk@eu.agc.com](mailto:sales.uk@eu.agc.com)

AGC Glass Europe has representatives worldwide. See [www.yourglass.com](http://www.yourglass.com) for further addresses.