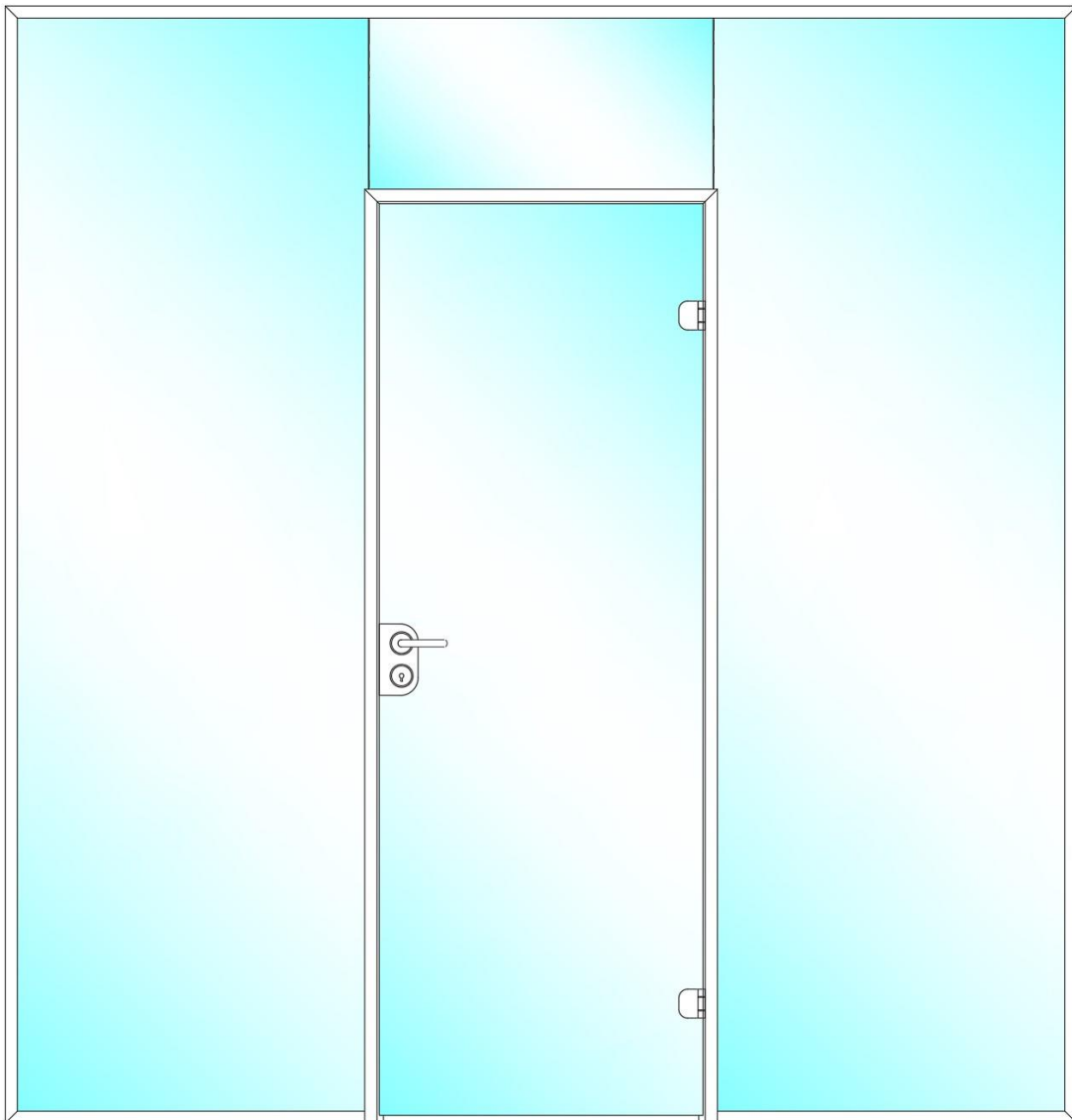
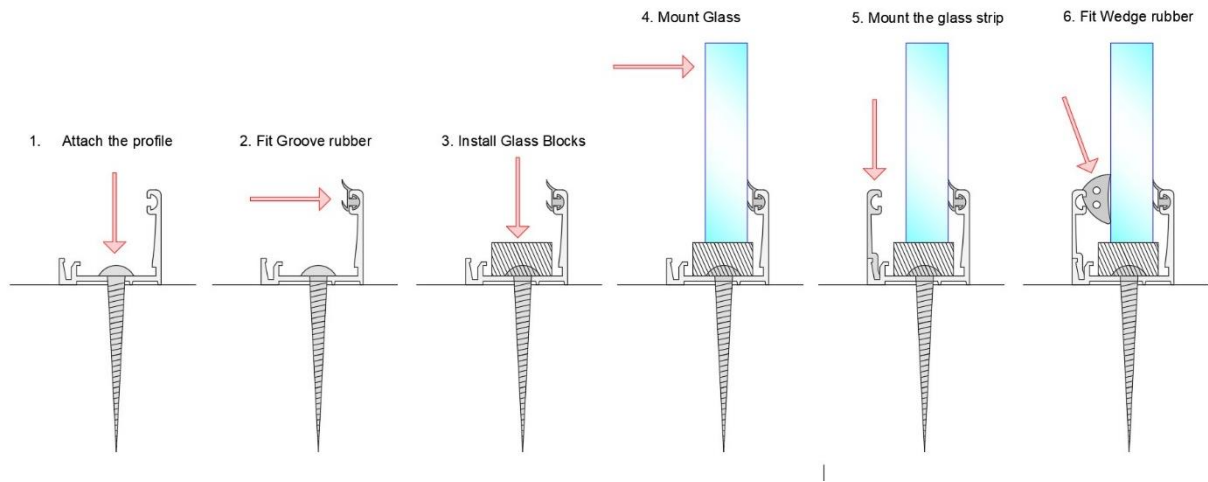


# Assembly instructions Aluroom D27 XL



- |                    |      |         |
|--------------------|------|---------|
| 1. Fixed Party     | Page | 2 - 4   |
| 2. Party with door | Page | 5 - 10  |
| 3. Rails Assembly  | Page | 10 - 13 |





- 1-1.** Cut the profiles. Start with the upper profile. Cut it to the full width of the hole. 45 degrees cut against wall, and 90 degree cut against doorframe. If necessary, use Electric shortener saw with aluminum blade for best results.  
 (The glass moldings are recommended to be cut off bluntly. (90-degree angle))

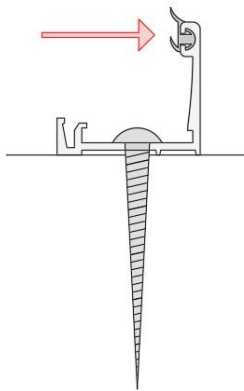


- 1-2.** Cut the bottom profile in the same way. And then cut the vertical profiles between the horizontal ones. Screw the L-part of the profile to the wall and ceiling. First, drill in the aluminum profile with an HHS metal drill. Live in the inner track so that you do not spoil the track into which the glass strip must be clicked. Then use a suitable screw for the wall, floor and ceiling.
- Gfound – Use plaster raw plugs with screw
  - Wood / veneer wall - Use only screw with rough thread.
  - Aerated concrete - Use only screw with rough thread.
  - Brick - Use a raw plug with screw for brick.
  - Concrete - Use a concrete screw.



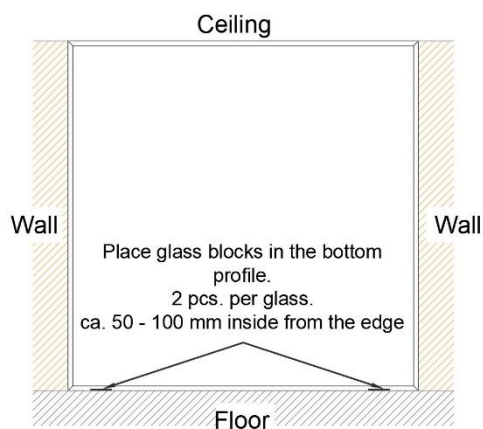
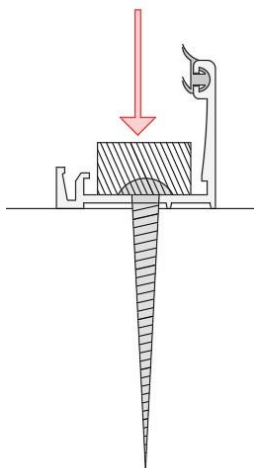
#### 1-4. L-profile groove rubber mount

2. Fit Groove rubber



1-5. Install glass blocks at the bottom of the profile, 2 bricks for each glass.  
The blocks are ca. 50 – 100 mm from inside the corner.

3. Install Glass Blocks



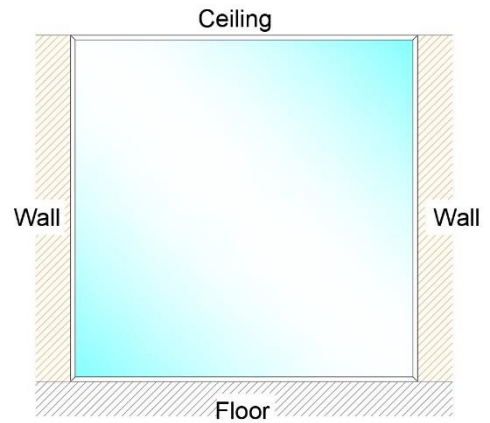
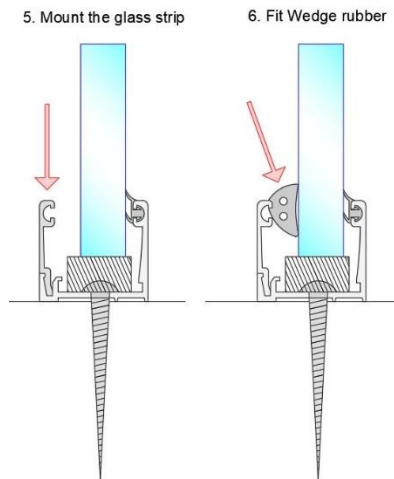
1-6. Mount the glass, make sure you have glass blocks mounted at the bottom.  
(For easier to move around on the glass, you can use a window lifter. )





Have the glass strip to the top ready, click it firmly in the groove and install any wedge rubber in the profile to lock the glass strip. Proceed with the assembly of all glasses.

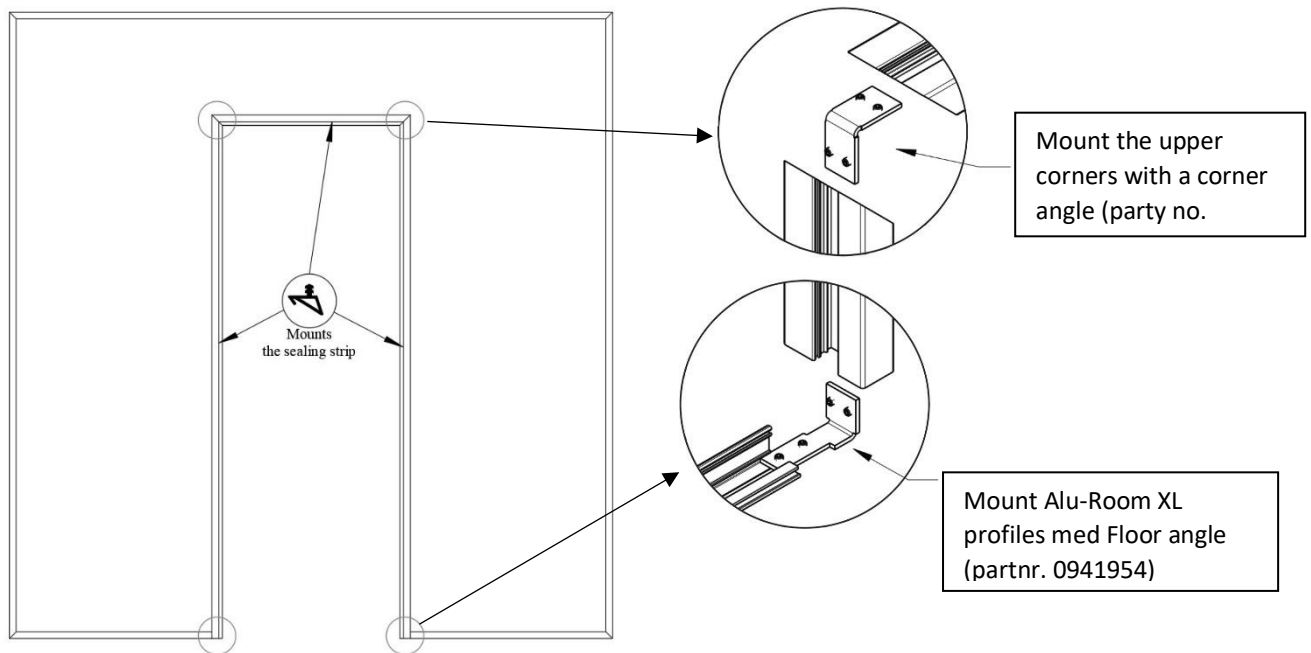
(The glass moldings are recommended to be cut off bluntly. (90-degree angle)

**1-7.** Install the rest of the glass strips, and wedge the rubber and your glass section is now complete.



<b>Rubber for Alu-Room XL</b>			
<i>Glass thickness</i>	<i>Wedge rubber</i> 	<i>Groove rubber</i> 	
10 - 10,76 mm	0702027x	1003081x	
12,76 mm	0702025x	1003081x	
16,76 mm	0700369x	None	

**2-1.** Install the door frame with corners and the Alu-Room XI profile floor brackets



**1-9.** Scan the profiles, start with the top profile, cut it to the full width of the hole. 45 degree cut against wall, and 90 degree cut against door frame.

If necessary, use Electric shortener saw with aluminum blade for best results.

(The glass slats are recommended to be cut off bluntly. (90-degree angle))



**2-2.** Screw the profiles to the wall and ceiling. First, drill in the aluminum profile with an HHS metal drill, bridge in the inner track so you don't ruin the track where the glass strip is to be clicked into. Then use a suitable screw for the wall. Use a spirit level so that all frame profiles are in weight, it is very important that it sits in weight in relation to making the door go well.

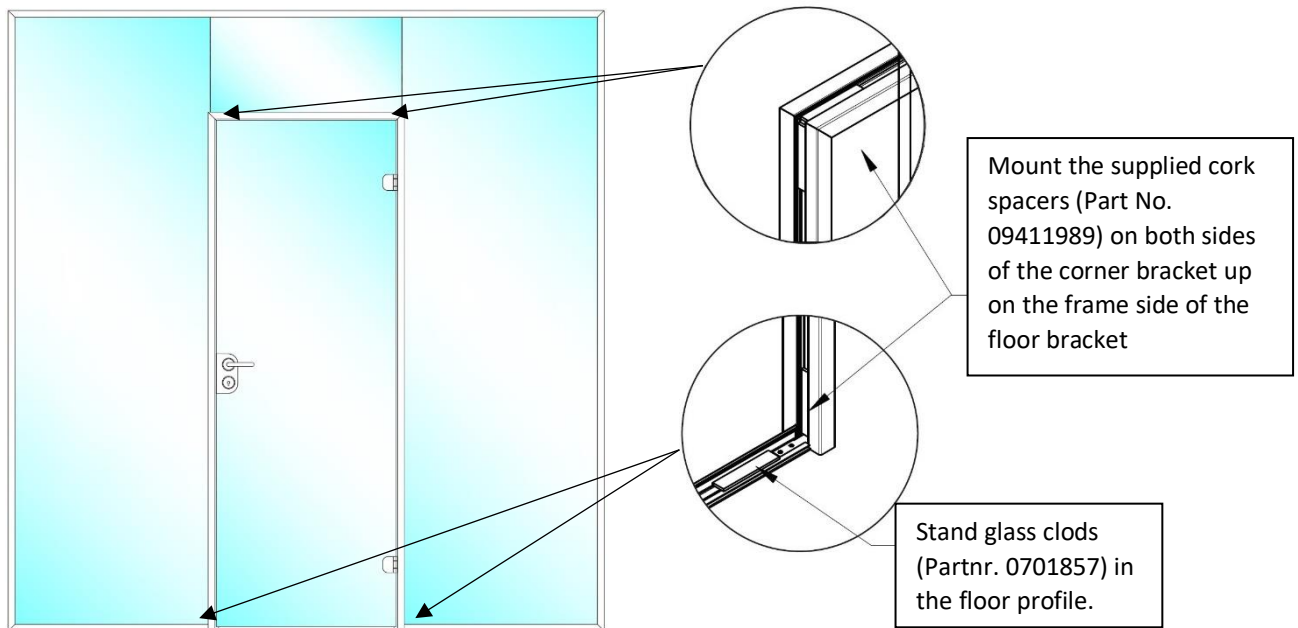
- Gfound – Use plaster raw plugs with screw
- Wood / veneer wall - Use only screw with rough thread.
- Aerated concrete - Use only screw with rough thread.
- Brick - Use a raw plug with screw for brick.
- Concrete - Use a concrete screw.



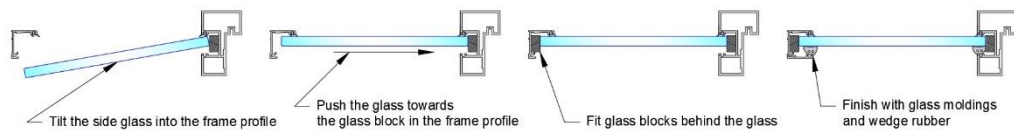




## 2-4. Mount the glass.



- Install the Groove rubber profiles and sills.
- Install the side glass as shown below.
- Mount over glass by pushing it up into the roof profile, and then into the frame.
- Mount Wedge rubber



- 2-6. Install rubber profiles in the frame and in the door frame. Make sure to press the rubber up with the rubber that you have mounted, so you do not pull the rubber, otherwise you risk that it as an elastic band retracts and you will after some time have a piece without rubber. **REMEMBER**, rubber in the bezel before installing the glass.



- 2-7. Install cork pieces in the bund, middle side frame and in the top.



- 2-8. Mount the side glass, make sure you have glass blocks mounted at the bottom, for easier moving around of the glass you can use a window lifter.



- 2-9. Have the glass strip to the top ready, click it firmly in the groove and install wedge rubber in the profile to lock the glass strip with. Proceed with the assembly of all glasses.

(The glass slats are recommended to be cut off bluntly. (90 degree angle))

- 2-10. Put the glass blocks in as in the drawing on the previous page. and at the same time make sure that the door frame is in a lot. Adjust with glass blocks so that the door frame is 100% in weight.

**Important!** It is glass blocks and glass that hold the door frame in place so that it cannot move. So be careful to get it fitted tightly.

### **Doorplate assembly**

- 2-11. Put the glass on a set of trestles



- 2-12. Mount the hinges on the glass, use the neutral plastic bushings that are too mounted. And tighten the bolt. First install the capes at the end so that they do not get scratched.





**2-13.** Attach the glass door to the frame which is already mounted and stabilized by side glass or screwed into the wall.





### IMPORTANT

In the hinge box can lie wooden screws, use them *only* for wooden sills.

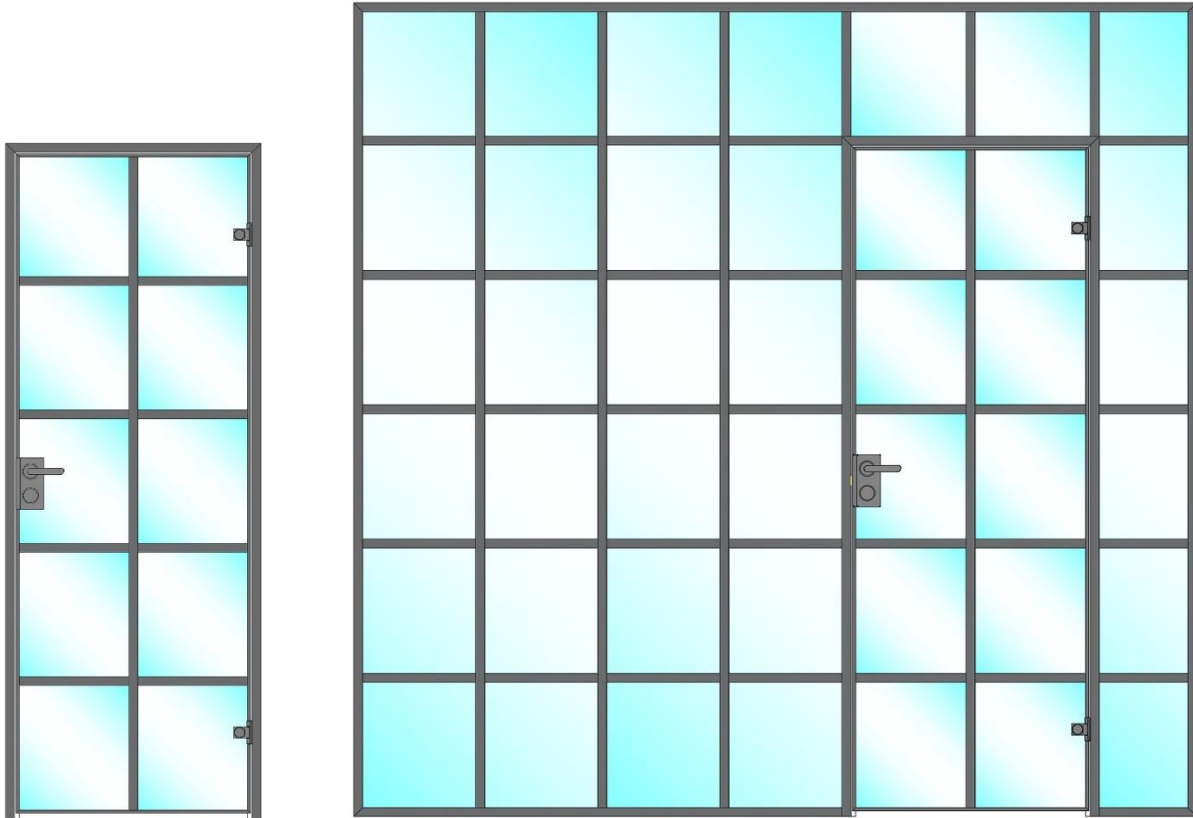


In the bag of accessories lie the screws for the Alu frame, screw mm the screws in with hand power, *do not use a screwdriver*, as it can screw them over threads.



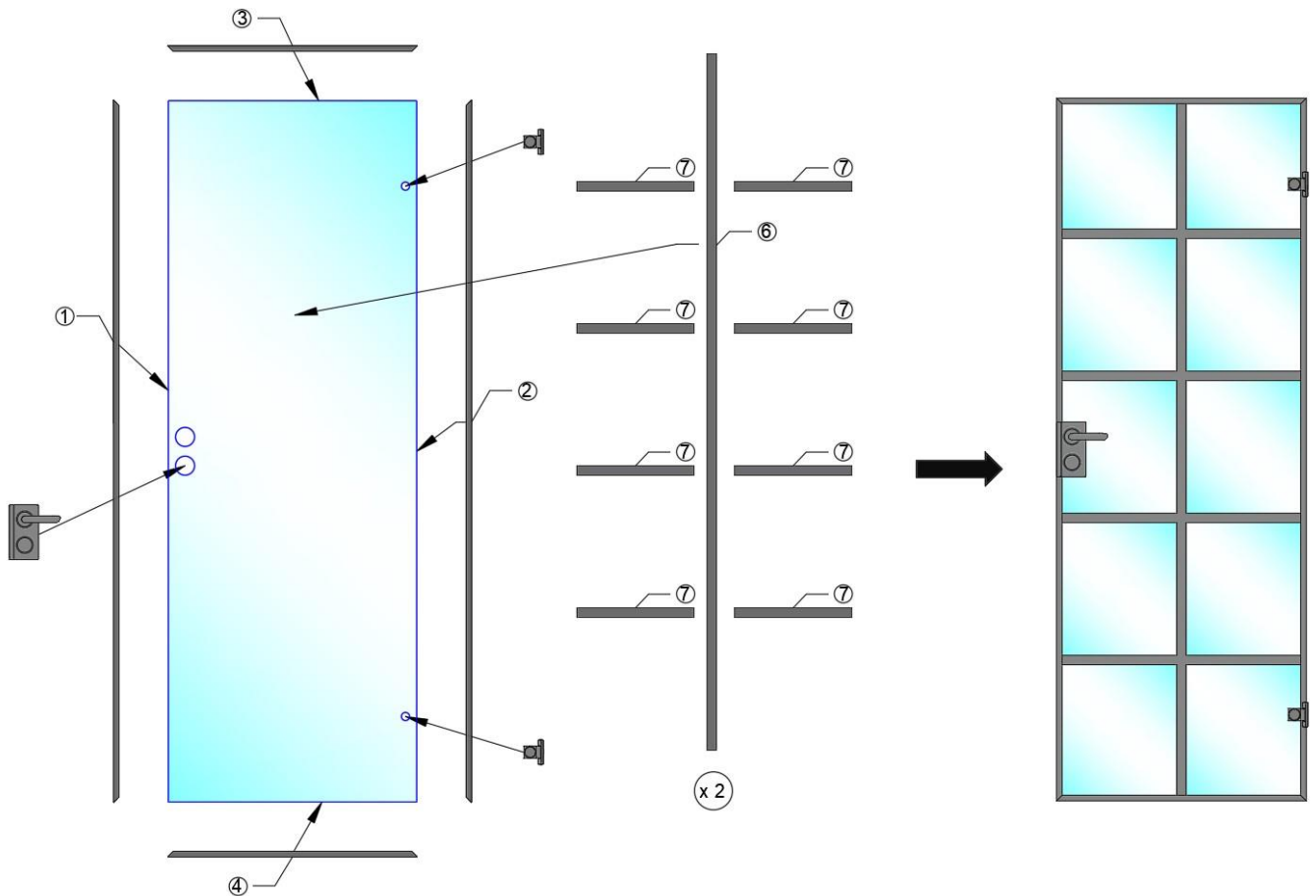
<b>Rubber for Alu-Room XL</b>		
<i>Glass thickness</i>	<i>Wedge rubber</i> 	<i>Groove rubber</i> 
10 - 10,76 mm	0702027x	1003081x
12,76 mm	0702025x	1003081x
16,76 mm	0700369x	None

**3-1.** When the lot is fully assembled with upper, lower and side profiles, and possibly doors, bars are mounted.



**3-2.** First, install u-profiles and bars on the door. If there is no door in the element, then proceed to the point. 3-4.  
Use an electric shortener saw with aluminum blade for best results, or a hacksaw. You will also need spirit level, tape measure, spray can and grout-gun

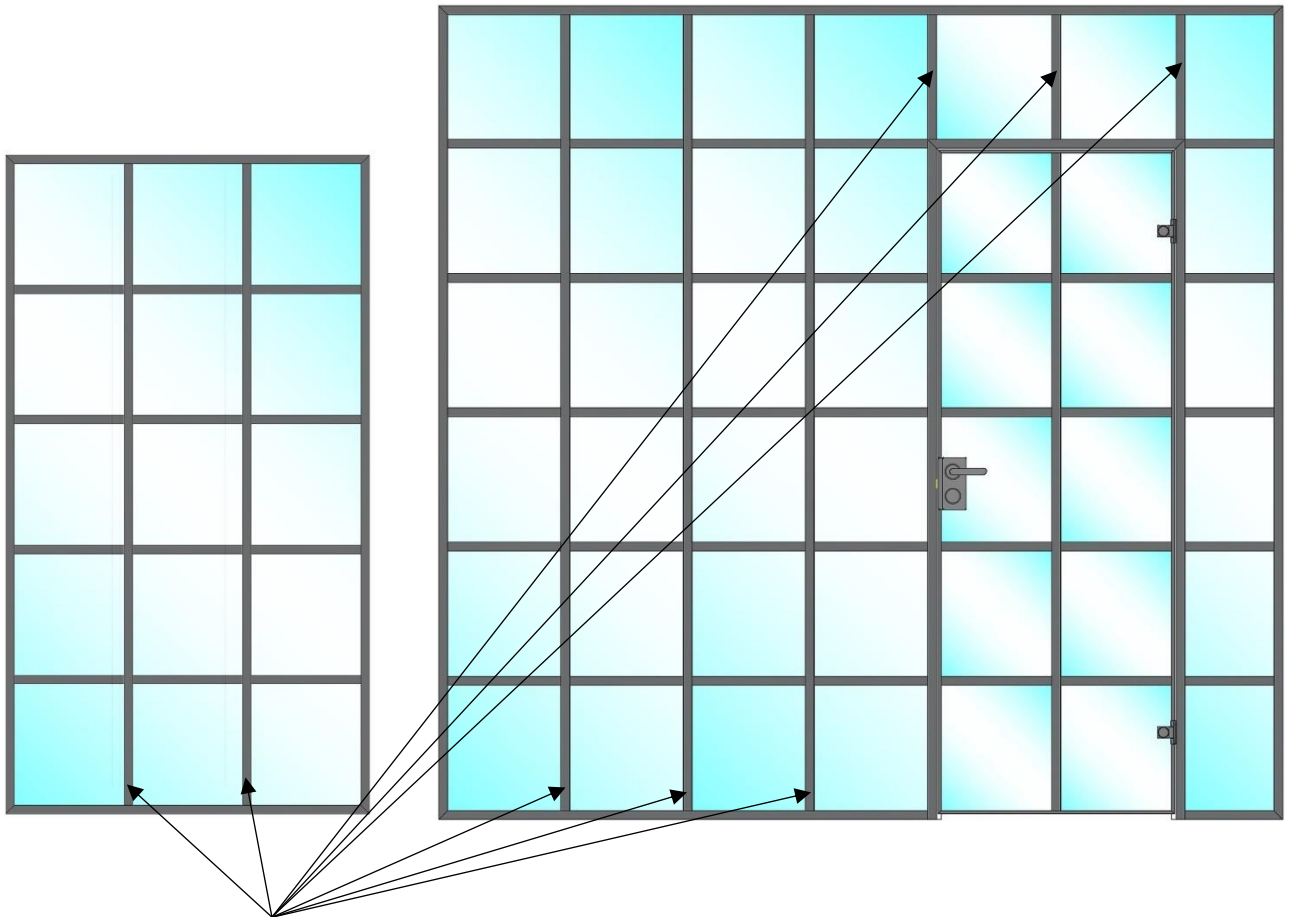




### 3-3. Install levers and locks, if not already done

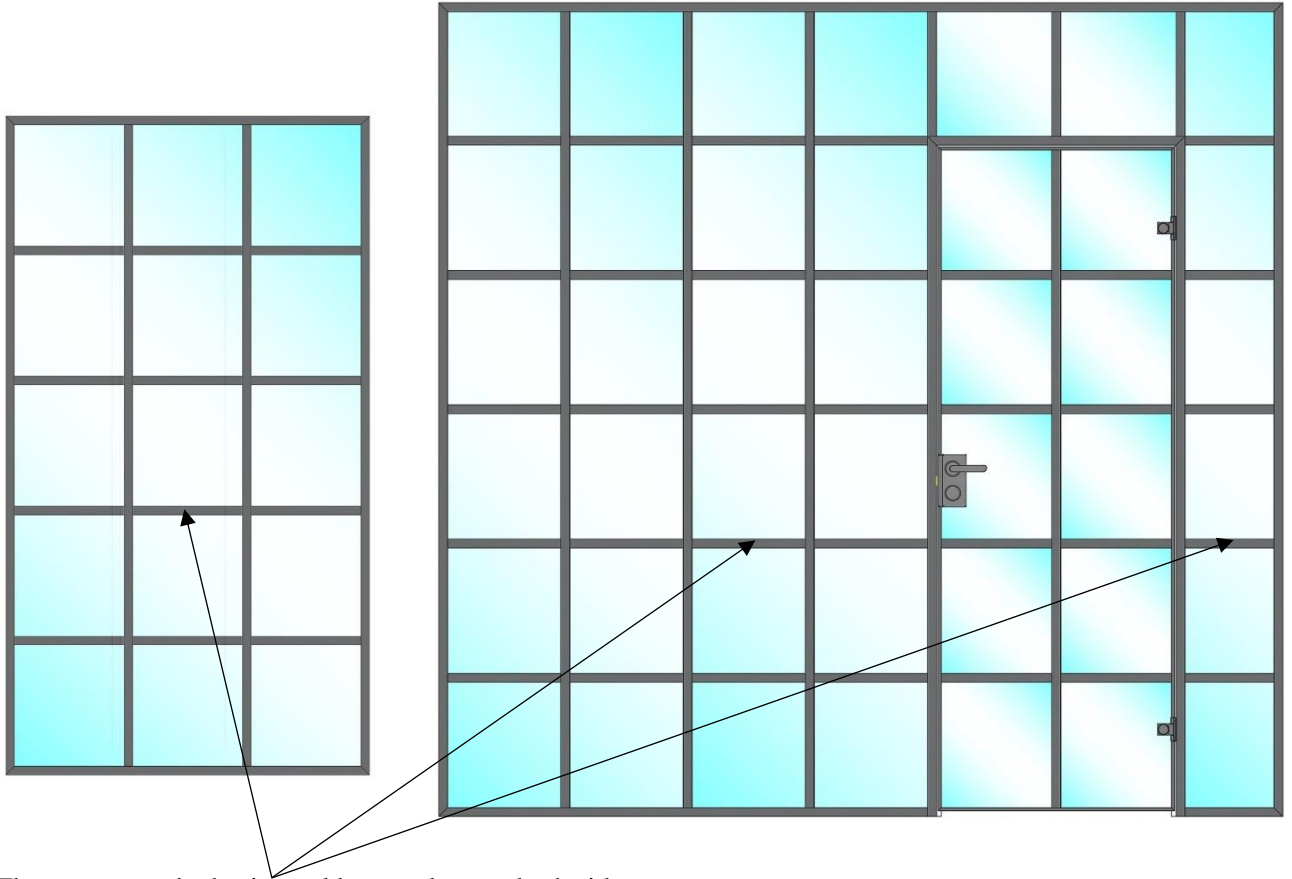
- Mount U-Profile ①, ②, ③ and ④. Glue them pointwise with any glass silicone (don't use too much).
- Measure the vertical bars ⑥, and cut to both sides.
- Then measure to the horizontal bars ⑦, and also cut them to both sides.
- Spray the glass with soap-water (Water + 2 drops of soap).
- Remove tape from the bar and first install vertical bars ⑥ (If necessary, use a horizontal to steer with), and then mount the horizontal bars ⑦. (As long as the glass is wet with soapy water, the bars can be moved around. When the water dries, the bar can no longer be removed or moved.)
- Repeat on the opposite side

- 3-4. When the batch is fully assembled with upper, lower and side profiles, and U-profile and bars on any door bars are mounted on the fixed lot.



- 3-5. Measure the vertical bars and cut to both sides.  
Use an electric shortener saw with aluminum blade for best results.  
You will also need spirit level, tape measure, spray can and grout-gun





- 3-6.** Then measure the horizontal bars and cut to both sides.  
 Use an electric shortener saw with aluminum blade for best results.  
 You will also need spirit level, tape measure, spray can and grout-gun



- 3-7.** Spray the glass with soapy water (Water + 2 drops of soap).  
 Remove tape from the bar and first install vertical bars (using some horizontal ones to steer) first. Then mount the horizontally Bars. Make sure they are flush with the bars in the door so that there is a similar escape throughout the party.  
 (As long as the glass is wet with soapy water, the bars can be moved around. When the water dries, the bar can no longer be removed or moved. )  
 Repeat on the opposite side